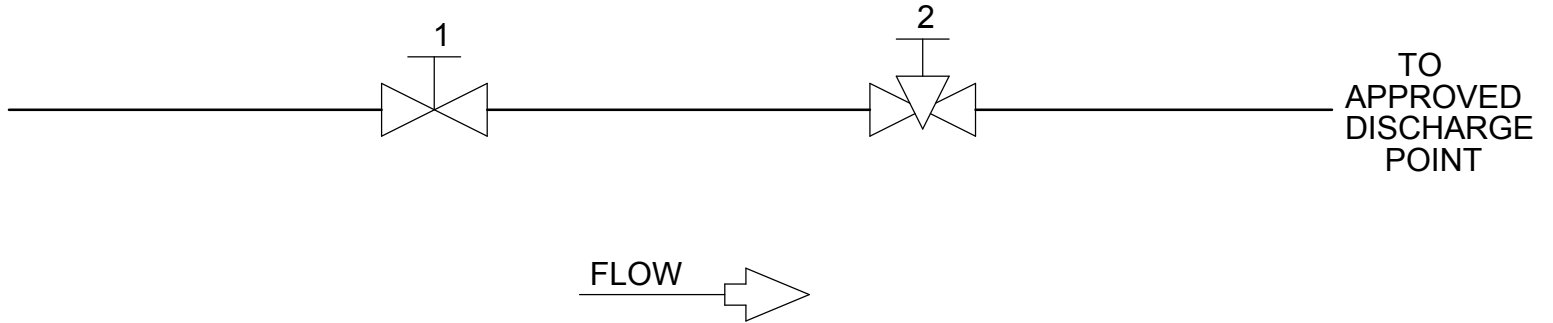



FROM BOILER
SKIMMER TUBE
CONNECTION



NOTE:
ALL PIPING, FITTINGS AND VALVES SELECTED
ARE TO MEET OR EXCEED
THE APPLICABLE ASME BOILER PRESSURE
CODE AND ASME PIPING CODE

ITEM	QTY	DESCRIPTION
1	1	GATE VALVE (SIZE-____) (MODEL-____)
2	1	NEEDLE VALVE (SIZE-____) (MODEL-____)

 BRYAN STEAM LLC 783 NORTH CHILI AVE PERU IN 46970					
DWG. TITLE:					
TYPICAL PIPING DIAGRAM FOR MANUAL SURFACE BLOWDOWN					
REVISION NO.	DATE:	REF#	DISK:	DWG. NO.:	FORM. NO.:
2	3/13/01		FS	A20837	2277