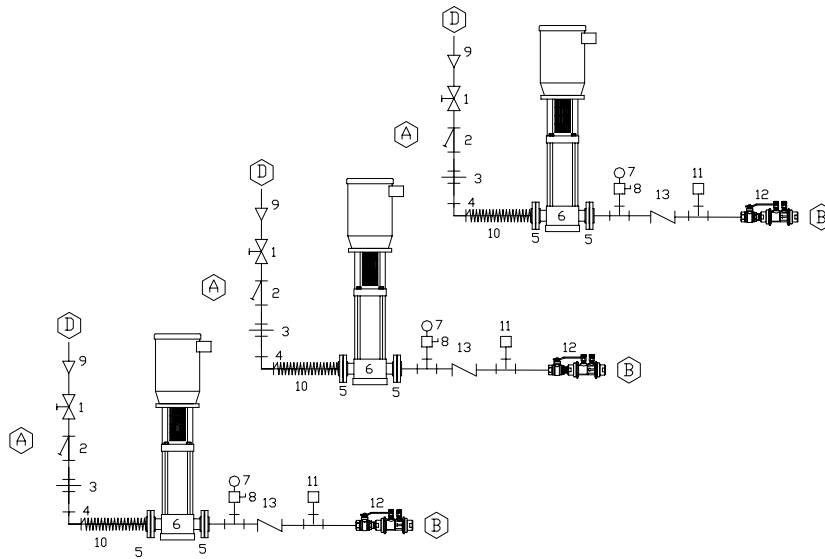


1	QTY	DESCRIPTION
1	3	GATE VALVE
2	3	STRAINER
3	3	UNION
4	3	90 DEGREE ELBDW
5	3	FLANGE FITTING
6	3	PUMP
7	3	PRESSURE GAUGE
8	3	GAUGE COCK
9	3	REDUCER (IF REQUIRED)
10	3	FLEXIBLE CONNECTOR
11	3	PRESSURE TRANSDUCER
12	3	FLOW CONTROL VALVE
13	3	CHECK VALVE
14		

DISCHARGE PIPING WILL BE
PIPED AT FACTORY AND
DISCONNECTED FROM PUMP
FOR SHIPMENT.



LETTER	SIZE	DESCRIPTION
A		PUMP SUCTION
B		PUMP DISCHARGE
C		PUMP SUCTION HEADER SIZE
D		SUCTION CONNECTION TO TANK



BRYAN STEAM

783 NORTH CHILI AVE PERU, INDIANA 46970

DWG. TITLE:

PIPING SCHEMATIC FOR
3 PUMPS
RUNNING CONTINUOUS OPERATION
GOLD PACKAGE

REVISION NO.

0

EFFECTIVE DATE:

6/7/01

SCALE

NONE

DISK:

FS

FORM NO.

2320