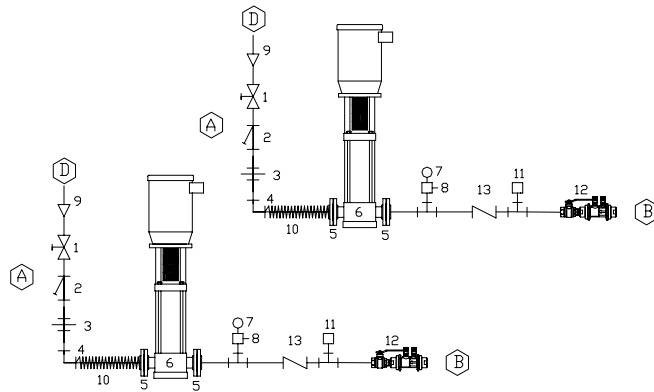


1	QTY	DESCRIPTION
1	2	GATE VALVE
2	2	STRAINER
3	2	UNION
4	2	90 DEGREE ELBOW
5	2	FLANGE FITTING
6	2	PUMP
7	2	PRESSURE GAUGE
8	2	GAUGE COCK
9	2	REDUCER (IF REQUIRED)
10	2	FLEXIBLE CONNECTOR
11	2	PRESSURE TRANSDUCER
12	2	FLOW CONTROL VALVE
13	2	CHECK VALVE
14		

DISCHARGE PIPING WILL BE  
PIPED AT FACTORY AND  
DISCONNECTED FROM PUMP  
FOR SHIPMENT.



LETTER	SIZE	DESCRIPTION
A		PUMP SUCTION
B		PUMP DISCHARGE
C		PUMP SUCTION HEADER SIZE
D		SUCTION CONNECTION TO TANK



**BRYAN STEAM**

783 NORTH CHILI AVE PERU, INDIANA 46970

DWG. TITLE:

PIPING SCHEMATIC FOR  
2 PUMPS  
RUNNING CONTINUOUS OPERATION  
GOLD PACKAGE

REVISION NO.

0

EFFECTIVE DATE:

6/6/01

SCALE

NONE

DISK:

FS

FORM NO.

2321