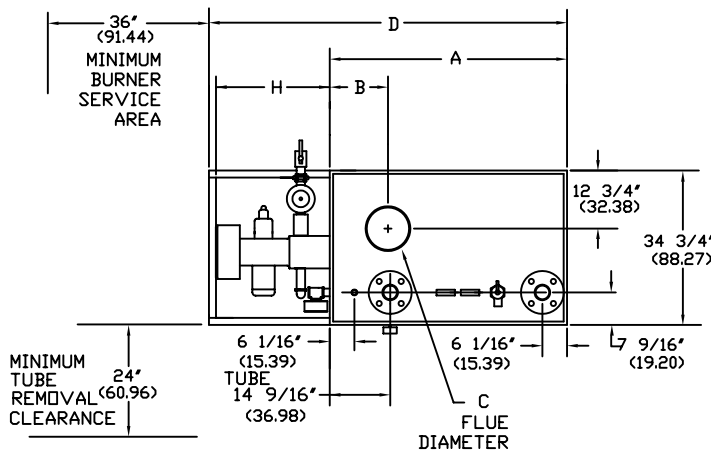


**AB SERIES FORCED DRAFT WATER BOILERS  
(AB90-AB300) REVERSE CONSTRUCTION**

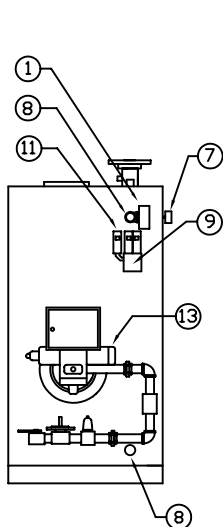
EFFECTIVE DATE: 8/12/10  
REPLACES: 3/9/09



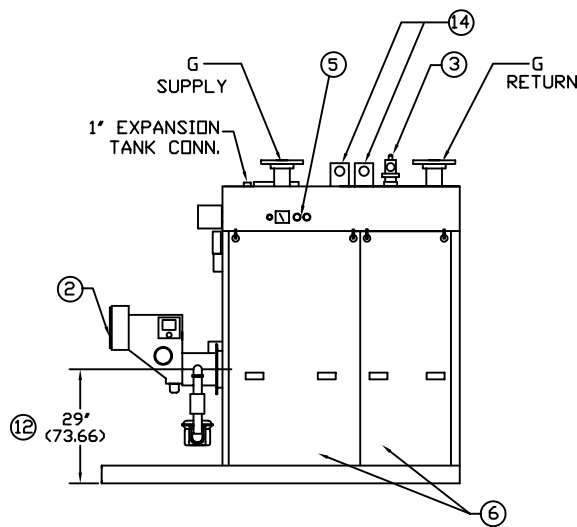
**PLAN VIEW**

**NOTES:**

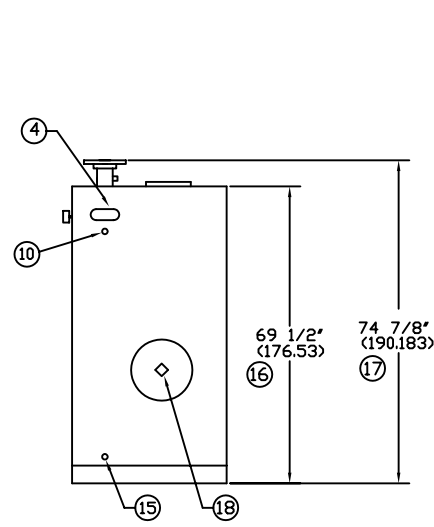
1. ALL DIMENSIONS ARE IN INCHES THOSE IN PARENTHESES ARE CENTIMETERS.
2. LOCATION DIMENSIONS ARE ALL  $\pm 1/2"$ .
3. GAS TRAIN, CONTROL AND BURNER CONFIGURATION WILL VARY DEPENDING ON JOB SPECIFICATIONS & CONDITIONS.
4. DIMENSIONS ARE SUBJECT TO CHANGE WITHOUT NOTICE. CONSULT FACTORY FOR CERTIFIED DIMENSIONS.
5. ALL FLANGES ARE 150# UNLESS OTHERWISE NOTED, FLANGES TO STRADDLE CENTER LINE.
6. AB 90 THRU AB 150 WILL HAVE ONLY (1) LIFT LUG. AB 200 THRU AB 300 WILL HAVE (2) LIFT LUGS.



**FRONT VIEW**



**RIGHT SIDE VIEW**



**REAR VIEW**

- |                         |                                   |                                 |                            |
|-------------------------|-----------------------------------|---------------------------------|----------------------------|
| 1. PROBE TYPE L.W.C.O.- | 6. JACKET ACCESS PANELS           | 11. AQUASTATS                   | 16. HEIGHT OVER JACKET     |
| 2. FORCED DRAFT BURNER  | 7. PRESS./TEMP. GAUGE             | 12. BURNER CENTER LINE          | 17. HEIGHT OVER SUPPLY     |
| 3. RELIEF VALVE         | 8. CLNDOUT./INSP. OPNG.-1 1/2"NPT | 13. OIL PUMP LOCATION           | 18. FLAME OBSERVATION PORT |
| 4. ASME NAMEPLATE       | 9. ELEC. ENCLOSURE-               | 14. LIFTING LUG(S) (SEE NOTE 6) | 19.                        |
| 5. CONTROL CONNECTION   | 10. AUX. CONNECTION 1 1/4' NPT    | 15. DRAIN CONNECTION            | 20.                        |

BOILER MODEL	AB 90	AB 120	AB 150	AB 200	AB 250	AB 300
A-LENGTH OVER JACKET	44 15/16" (114.14)	54 3/16" (137.63)	63 1/2" (161.29)	78 15/16" (200.5)	94 7/16" (239.87)	108 13/16" (276.38)
B-FLUE LOCATION	12" (30.48)	12" (30.48)	12" (30.48)	16 1/2" (41.91)	15" (38.10)	15" (38.10)
C-FLUE DIAMETER	10" (25.40)	10" (25.40)	10" (25.40)	10" (25.40)	12" (30.48)	12" (30.48)
D-LENGTH OVER BASE	76" (193.04)	85 3/8" (216.83)	94 3/4" (240.67)	110" (279.40)	125 1/2" (318.77)	139 7/8" (355.28)
G-SUPPLY/RETURN NOZZLE SIZE	3" (7.62)	3" (7.62)	3" (7.62)	3" (7.62)	3" (7.62)	3" (7.62)
H-BURNER EXTENSION	CONSULT FACTORY FOR BURNER EXTENSION APPLICATIONS					



**BRYAN BOILERS**

783 NORTH CHILI AVE  
PERU, INDIANA 46970

ORDER NO.:	
ORDER REV. NO.:	
FORM NO.:	2163

**AB SERIES FORCED DRAFT  
WATER BOILER  
REVERSE CONSTRUCTION**

BOILER MODEL		AB90	AB120	AB150	AB200	AB250	AB300
INPUT	MBH	900	1,200	1,500	2,000	2,500	3,000
	(KW)	263.7	351.6	439.5	586.0	732.5	879.0
OUTPUT*	MBH	752	1,002	1,253	1,670	2,088	2,505
	(KW)	220.2	293.6	367.0	489.3	611.6	734.0
BOILER HORSEPOWER*	HP	22	30	37	50	62	75
	(KW)	220	293	367	489	611	733
TUBE DIAMETER	INCHES	1.00	1.00	1.00	1.00	1.00	1.00
	(CM)	2.54	2.54	2.54	2.54	2.54	2.54
NUMBER OF TUBES		26	35	44	59	74	88
PRESSURE VESSEL							
VOLUME	GAL	33	40	48	61	73	100
	(L)	124.9	151.4	181.7	230.9	276.3	378.5
HEATING SURFACE	SQ FT	113	148	184	244	303	360
	(SQ M)	10.5	13.8	17.1	22.7	28.2	33.5
OPERATING WEIGHT	LBS	2,264	2,570	2,950	3,550	4,100	4,580
	(KG)	1,027.0	1,165.8	1,338.1	1,610.3	1,859.8	2,077.5
SHIPPING WEIGHT	LBS	2,000	2,250	2,550	3,050	3,500	3,750
	(KG)	907.2	1,020.6	1,156.7	1,383.5	1,587.6	1,701.0

\* Output and Boiler HP based on an average natural gas combustion efficiency.