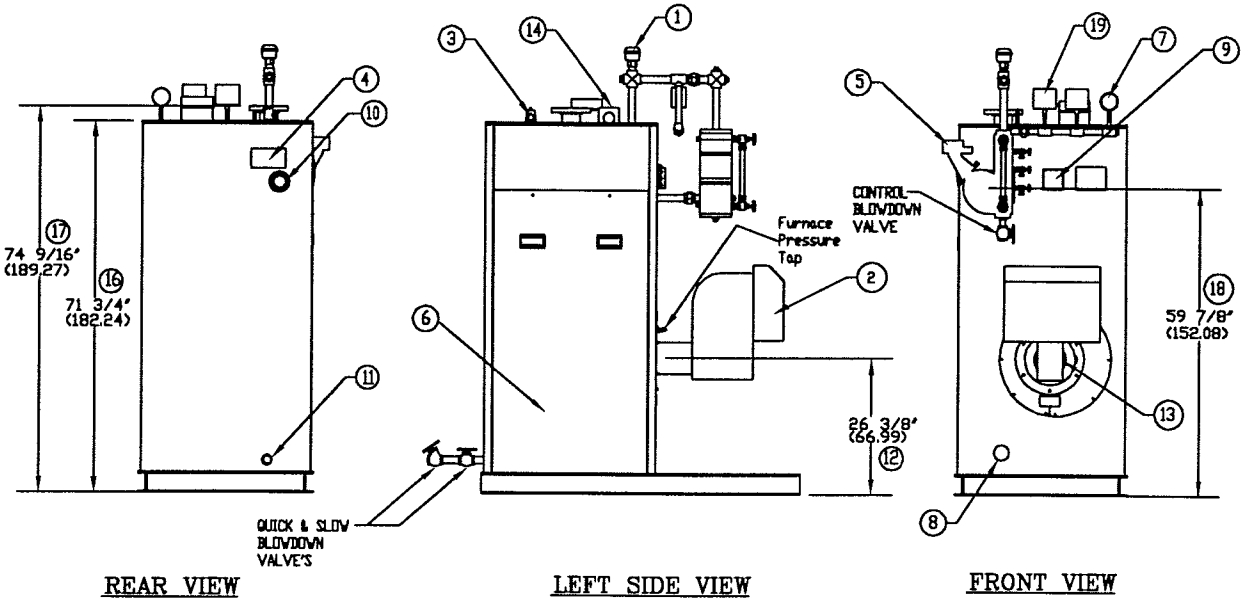
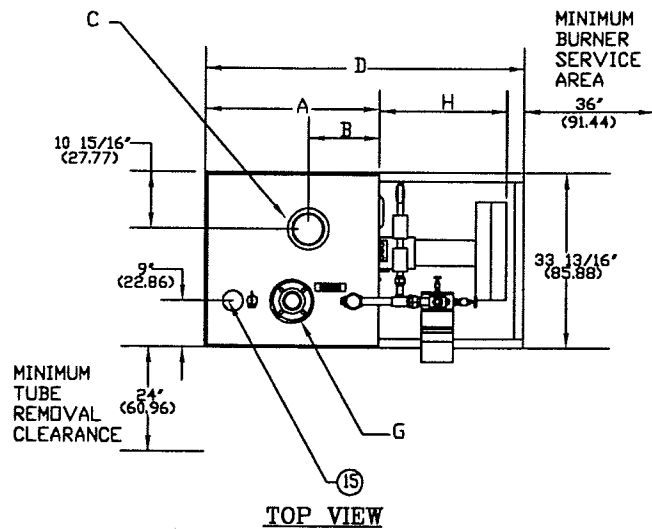


DR SERIES FORCED DRAFT
CALIFORNIA SPECIAL STEAM BOILER

EFFECTIVE DATE: 1/29/04
REPLACES: 8/7/03

NOTES:

1. ALL DIMENSIONS ARE IN INCHES THOSE IN PARENTHESES ARE CENTIMETERS.
2. LOCATION DIMENSIONS ARE ALL $\pm 1/2"$.
3. GAS TRAIN, CONTROL AND BURNER CONFIGURATION WILL VARY DEPENDING ON JOB SPECIFICATIONS & CONDITIONS.
4. DIMENSIONS ARE SUBJECT TO CHANGE WITHOUT NOTICE. CONSULT FACTORY FOR CERTIFIED DIMENSIONS.
5. ALL FLANGES ARE 150# UNLESS OTHERWISE NOTED, FLANGES TO STRADDLE CENTER LINE.



- | | | | |
|-----------------------------|----------------------------------|------------------------------|------------------------------|
| 1. PROBE TYPE AUX. L.W.C.D. | 6. JACKET ACCESS PANELS | 11. DRAIN/ BLOWDOWN - 1" NPT | 16. HEIGHT OVER JACKET |
| 2. FORCED DRAFT BURNER | 7. PRESSURE GAUGE | 12. BURNER CENTER LINE | 17. HEIGHT OVER SUPPLY |
| 3. RELIEF VALVE | 8. CLNDUT./INSP. DPNG.-1 1/2"NPT | 13. OIL PUMP LOCATION | 18. MINIMUM SAFE WATER LEVEL |
| 4. ASME NAMEPLATE | 9. ELEC. ENCLOSURE - | 14. LIFTING LUG | 19. PRESSURE CONTROLS |
| 5. LWCD/PUMP CONTROL - 157 | 10. CLNDUT./INSP. DPNG. - 2" NPT | 15. FEED CONNECTION 2" NPT | |

BOILER MODEL	DR400
A-LENGTH OVER JACKET	33 3/4' (85.72)
B-FLUE LOCATION	13 3/4' (34.92)
C-FLUE DIAMETER	6' (15.24)
D-LENGTH OVER BASE	62 1/8' (157.79)
G-SUPPLY NOZZLE SIZE	3' (7.62)
H-BURNER EXTENSION	26' (66.04)



BRYAN BOILERS

783 NORTH CHILI AVE
PERU, INDIANA 46970

ORDER NO.
ORDER REV. NO.
FORM NO. 2161

DR SERIES FORCED DRAFT CALIFORNIA SPECIAL STEAM BOILER

BOILER MODEL		DR400
INPUT	MBH	400
	(KW)	117.2
OUTPUT*	MBH	320
	(KW)	93.8
BOILER HORSEPOWER	HP	9.56
	(KW)	93.7
TUBE DIAMETER	INCHES	1.00
	(CM)	2.54
NUMBER OF TUBES		18
PRESSURE VESSEL		
VOLUME	GAL	31
	(L)	117.3
HEATING SURFACE	SQ FT	66
	(SQ M)	6.1
STEAM OUTPUT		
	LBS/HR	329
	(KG/HR)	149.2
OPERATING WEIGHT	LBS	1,408
	(KG)	638.9
SHIPPING WEIGHT	LBS	1,150
	(KG)	521.6
RELIEF VALVE TYPICAL - 100 PSIG (689.5 KPA)		
QUANTITY		(1) 6021DC01
SIZE	INCHES	1/2 x 3/4
	(CM)	1.27x1.905
CAPACITY-TOTAL	MBH	643
	(KW)	188.4

* Output based on nominal 80% of input. Actual combustion efficiencies will be higher and fuel dependent.