



# FREE FLEX CONDENSING BOILERS - SUBMITTAL DATA SHEET

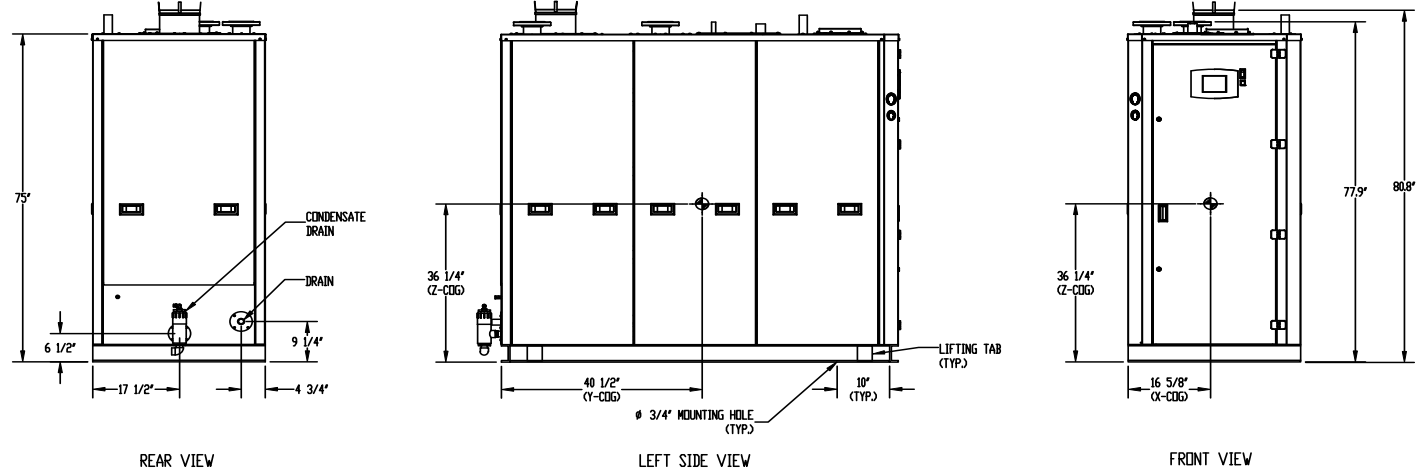
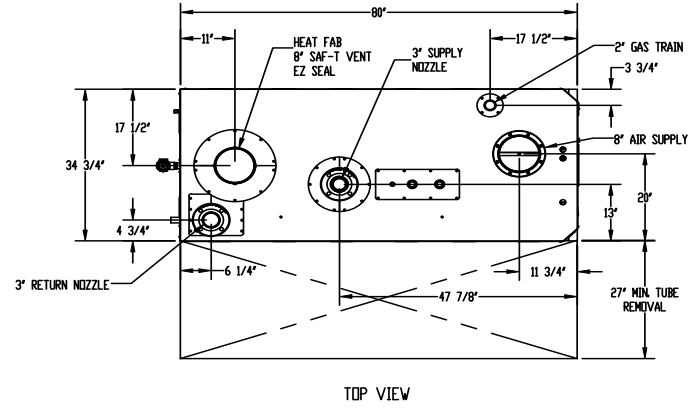
RATINGS AND CAPACITIES		
Input - Low Fire .....	400,000	BTU/HR
Input - High Fire .....	2,000,000	BTU/HR
Output - High Fire .....	1,900,000	BTU/HR
Boiler Horsepower .....	56.8	BHP
Thermal Efficiency .....	95.0%	
Low Fire Thermal Efficiency .....	Up to 99%	
Heating Surface .....	606	Sq.Ft.
Water Content .....	27.3	Gallons
Fuel .....		
Natural Gas		
Firing Rate .....		
Full Modulation		
Burner Turndown .....		
5:1		
Low NOx Emissions .....		
Capable, Consult Factory		
Inlet Gas Pressure (NG) .....		
4" wc Min.		
14" wc Max.		
Shipping Weight, Approximate .....		
2,560 lbs		

ASME Section IV (Max 160 PSIG / 210°F)	
ETL Certified to UL 795 and CAN 3.1.1	

DIMENSIONS / CONNECTIONS	
- Height .....	75"
- Width .....	34-3/4"
- Length .....	80"
- Supply / Return Connections .....	3" Flange
- Vent / Air Intake Connections .....	8"
- Condensate / Boiler Drain Conn. ....	1"
- Gas Connection .....	2"

## STANDARD EQUIPMENT

- ASME Stainless Steel Heat Exchanger
- Stainless Steel Mesh Pre-Mix Burner
- Variable Speed Combustion Blower
- Concert Boiler Control™ (24v) With 7" Color Touch Screen
  - > Peer-To-Peer Boiler Communications (Up to 8 Units)
  - > Energy Management System (EMS) Interface
  - > USB Data Port Transfer
  - > Self-Guiding Diagnostics
  - > Unmatched Archives
- High Limit Temperature Control, Manual Reset
- Blower Motor (See HP below with voltage options)
- Water Flow Switch
- Low Water Cutoff, Manual Reset
- Condensate Trap
- Blocked Condensate Switch
- Combustion Air Proving Switch
- Blocked Vent Air Switch
- Pressure Relief Valve
- Pressure & Temperature Gauges
- Supply & Return Temperature Sensors
- Flue Gas Temperature Sensor
- Modulating Gas Valve
- Direct Spark Ignition / UV Scanner
- High/Low Gas Pressure Switches, Manual Reset
- High/Low Gas Pressure Switches, Manual Reset
- 120/1/60 Line Voltage
- 208-240/3/60 Line Voltage (9.5 Amps); 3 HP Blower
- 480/3/60 Line Voltage (6.6 Amps); 3.2 HP Blower
- Category IV Individual Venting with Engineered Vent System
- Category II Common Venting with Engineered Vent System
- Ducted or Room Combustion Air Intake



- NOTES:
1. Dimensions shown are for reference only
  2. See O&M for required installation clearances

FLOWS AND PRESSURE DROPS					
Delta T	Flow (GPM)	Δ P (Ft. Hd)	Delta T	Flow (GPM)	Δ P (Ft. Hd)
20°F Δ T (Max)	190	16.30	50°F Δ T	76	2.61
25°F Δ T	152	10.43	60°F Δ T	63	1.81
30°F Δ T	127	7.24	70°F Δ T	54	1.33
35°F Δ T	109	5.32	80°F Δ T	48	1.02
40°F Δ T	95	4.08	90°F Δ T	42	0.80
45°F Δ T	84	3.22	100°F Δ T (Min)	38	0.65

## FF-2000

PROPERTY OF



783 N Chili Ave | Peru, IN 46970

Boiler Technology Leadership Since 1916

[www.bryanboilers.com](http://www.bryanboilers.com)