



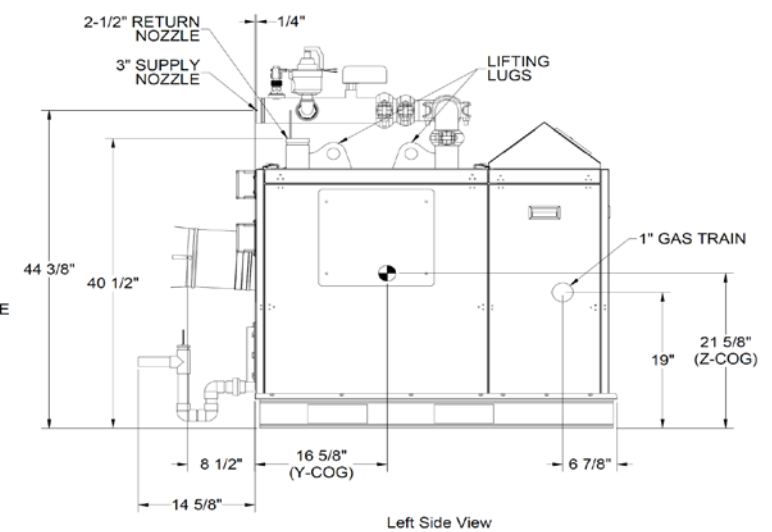
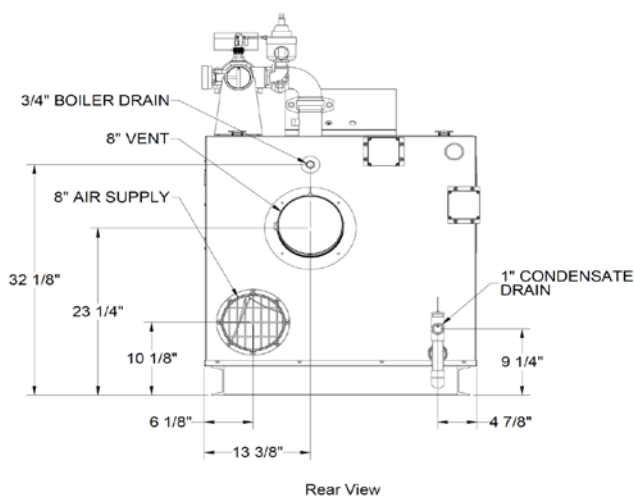
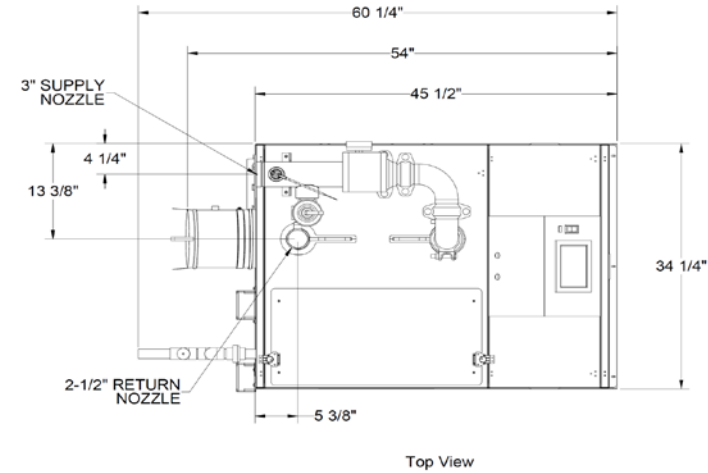
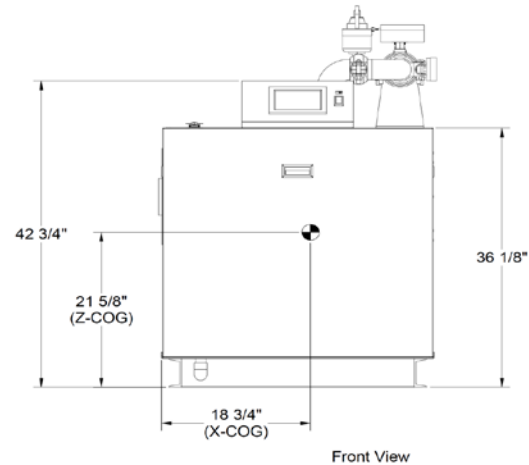
# BFIT CONDENSING BOILERS - SUBMITTAL DATA SHEET

RATINGS AND CAPACITIES		
Input - Low Fire .....	200,000	BTU/HR
Input - High Fire .....	1,000,000	BTU/HR
Output - High Fire .....	970,000	BTU/HR
Boiler Horsepower .....	29.0	BHP
Thermal Efficiency .....	97.0%	
Low Fire Thermal Efficiency .....	Up to 99%	
Heating Surface .....	91.6	Sq.Ft.
Water Content .....	11.0	Gallons
Fuel .....	Natural Gas	
Firing Rate .....	Full Modulation	
Burner Turndown .....	5:1	
Low NOx Emissions .....	< 10 ppm	
Inlet Gas Pressure (NG) .....	4" wc	Min.
	14" wc	Max.
Shipping Weight, Approximate .....	780	lbs

ASME Section IV (Max 160 PSIG / 210°F)	
ETL Certified to UL 795 and CAN 3.1.1	

DIMENSIONS / CONNECTIONS	
- Height .....	42-3/4"
- Width .....	34-1/4"
- Length .....	45-1/2"
- Supply Connection .....	3" Grooved
- Return Connection .....	2-1/2" Grooved
- Vent / Air Intake Connections .....	8"
- Gas Connection .....	1" NPT

STANDARD EQUIPMENT	
- ASME Stainless Steel Heat Exchanger	
- Stainless Steel Pre-Mix Burner	
- Variable Speed Combustion Blower	
- Concert Boiler Control™ (24v)	
- High Limit Temperature Control, Auto Reset	
- High Limit Temperature Control, Manual Reset	
- Water Flow Switch	
- Low Water Cutoff, Manual Reset	
- Condensate Trap	
- Blocked Condensate Switch	
- ASME Pressure Relief Valve	
- Pressure / Temperature Gauge	
- Supply & Return Temperature Sensors	
- Flue Gas Temperature Sensor	
- Air Vent Valve	
- Modulating Gas Valve	
- Direct Spark Ignition and UV Scanner	
- High/Low Gas Pressure Switches, Manual Reset	
- Combustion Air Switch	
- Blocked Vent Switch	
- 120/1/60 Line Voltage (< 9 amps)	
- 208-240v/1ph/60hz Line Voltage (< 4.5 amps)	
- Category IV Individual Venting	
- Category II Common Venting with Engineered Vent System	
- CPVC, Polypropylene & Stainless Steel Acceptable Material	
- Sealed or Room Combustion Air Intake	
- Up to 200 ft equivalent venting / air intake	



NOTES: 1. Dimensions shown are for reference only

FLOWS AND PRESSURE DROPS		
Delta T	Flow (GPM)	Δ P (Ft. Hd)
20°F Δ T	97	11.0
25°F Δ T	78	6.7
30°F Δ T	65	5.2
35°F Δ T	55	4.1
40°F Δ T	49	3.8
45°F Δ T	43	3.8
50°F Δ T	40	2.5
55°F Δ T	35	2.0

## BFIT-1000

PROPERTY OF

**BRYAN**

783 N Chili Ave | Peru, IN 46970

Boiler Technology Leadership Since 1916

www.bryanboilers.com

\* Flue system material shall be capable of continuous operation at 210°F or higher and shall be certified to UL 1738 – venting system for gas-burning appliances cat II, III and IV.