

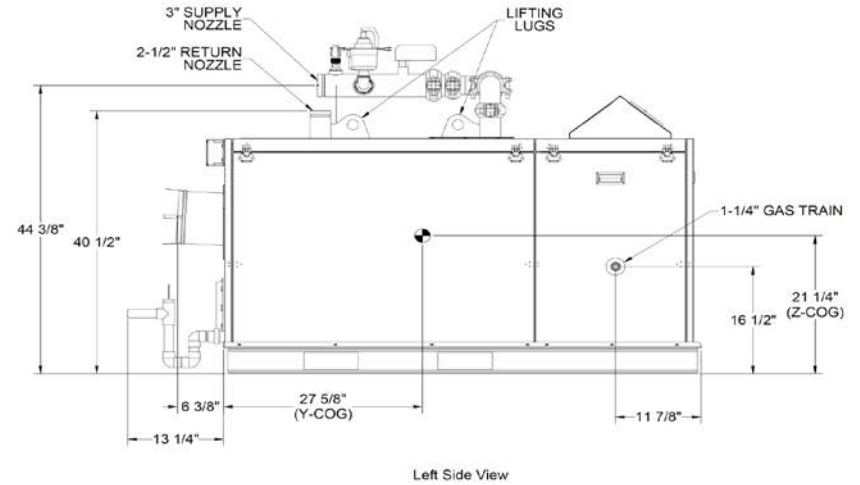
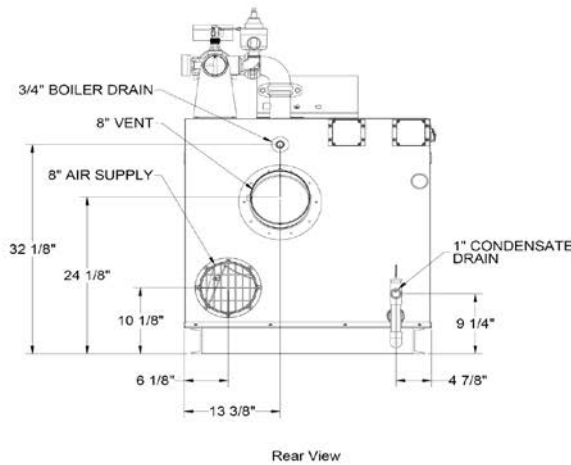
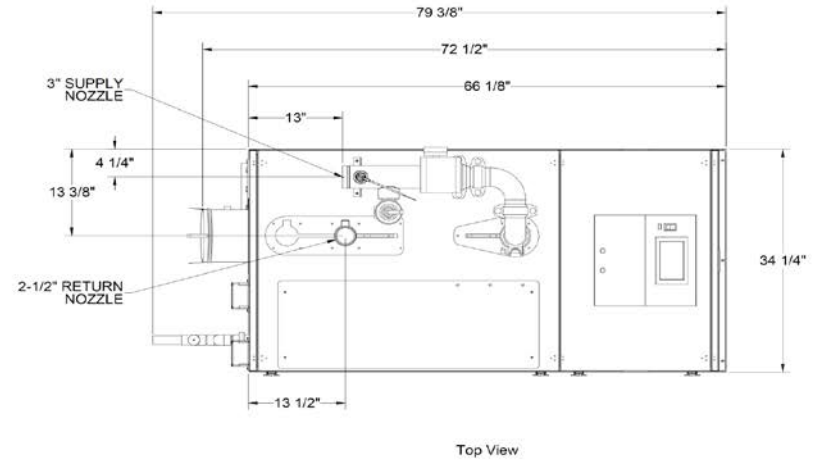
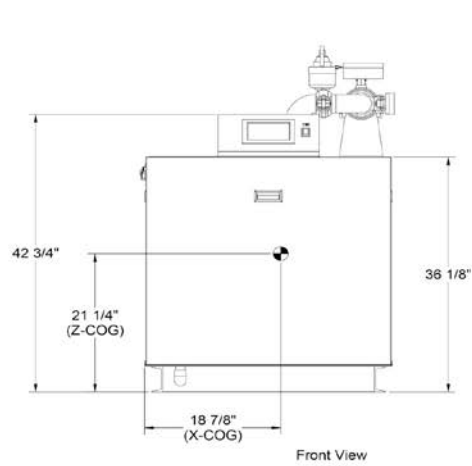
BFIT CONDENSING BOILERS - SUBMITTAL DATA SHEET

RATINGS AND CAPACITIES		
Input - Low Fire	300,000	BTU/HR
Input - High Fire	1,500,000	BTU/HR
Output - High Fire	1,455,000	BTU/HR
Boiler Horsepower	43.5	BHP
Thermal Efficiency	97.0%	
Low Fire Thermal Efficiency	Up to 99%	
Heating Surface	109.8	Sq.Ft.
Water Content	13.0	Gallons
Fuel Natural Gas		
Firing Rate Full Modulation		
Burner Turndown	5:1	
Low NOx Emissions	< 10 ppm	
Inlet Gas Pressure (NG)	4" wc	Min.
	14" wc	Max.
Shipping Weight, Approximate	1,050	lbs

ASME Section IV (Max 160 PSIG / 210°F)	
ETL Certified to UL 795 and CAN 3.1.1	

DIMENSIONS / CONNECTIONS	
- Height	42-3/4"
- Width	34-1/4"
- Length	66-1/8"
- Supply Connection	3" Grooved
- Return Connection	2-1/2" Grooved
- Vent / Air Intake Connections	8"
- Gas Connection	1-1/4" NPT

STANDARD EQUIPMENT	
- ASME Stainless Steel Heat Exchanger	
- Stainless Steel Pre-Mix Burner	
- Variable Speed Combustion Blower	
- Concert Boiler Control™ (24v)	
- High Limit Temperature Control, Auto Reset	
- High Limit Temperature Control, Manual Reset	
- Water Flow Switch	
- Low Water Cutoff, Manual Reset	
- Condensate Trap	
- Blocked Condensate Switch	
- ASME Pressure Relief Valve	
- Pressure / Temperature Gauge	
- Supply & Return Temperature Sensors	
- Flue Gas Temperature Sensor	
- Air Vent Valve	
- Modulating Gas Valve	
- Direct Spark Ignition and UV Scanner	
- High/Low Gas Pressure Switches, Manual Reset	
- Combustion Air Switch	
- Blocked Vent Switch	
- 120/1/60 Line Voltage (< 11 amps)	
- 208-240v/1ph/60hz Line Voltage (< 5.5 amps)	
- Category IV Individual Venting	
- Category II Common Venting with Engineered Vent System	
- CPVC, Polypropylene & Stainless Steel Acceptable *Material	
- Sealed or Room Combustion Air Intake	
- Up to 200 ft equivalent venting / air intake	



NOTES: 1. Dimensions shown are for reference only

FLOWS AND PRESSURE DROPS		
Delta T	Flow (GPM)	Δ P (Ft. Hd)
20°F Δ T	146	17.0
25°F Δ T	116	10.5
30°F Δ T	97	8.4
35°F Δ T	83	6.0
40°F Δ T	73	5.0
45°F Δ T	65	4.2
50°F Δ T	60	3.4
55°F Δ T	53	3.0

BFIT-1500

PROPERTY OF

783 N Chili Ave | Peru, IN 46970

Boiler Technology Leadership Since 1916

www.bryanboilers.com

* Flue system material shall be capable of continuous operation at 210°F or higher and shall be certified to UL 1738 – venting system for gas-burning appliances cat II, III and IV.