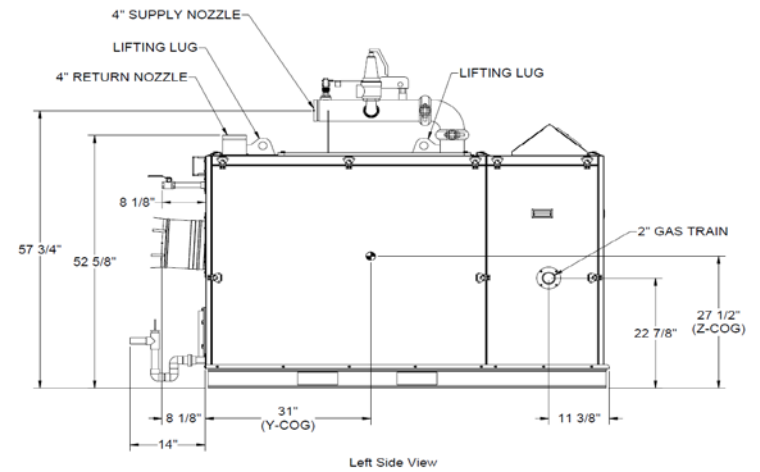
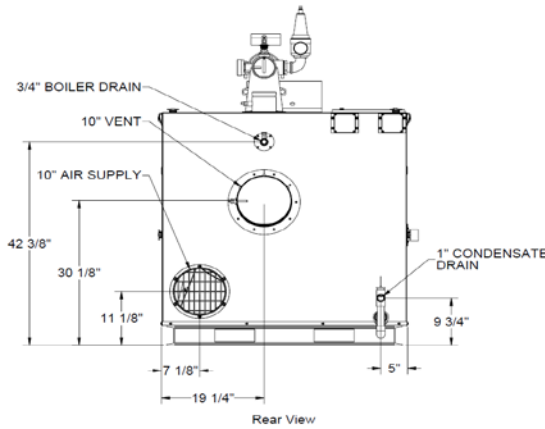
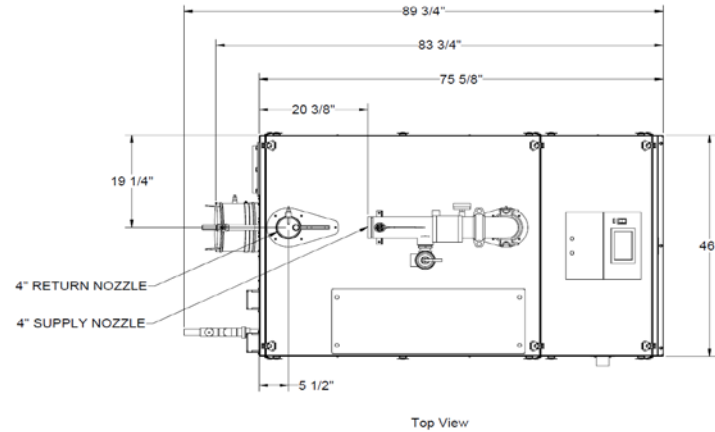
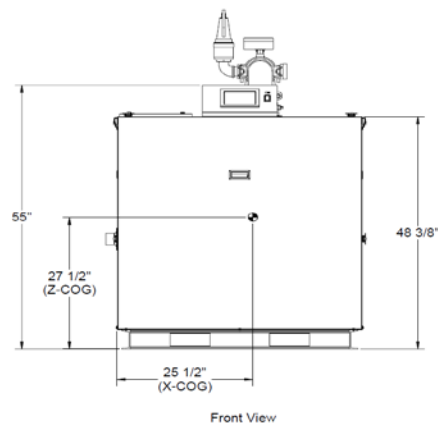


# BFIT CONDENSING BOILERS - SUBMITTAL DATA SHEET

RATINGS AND CAPACITIES		
Input - Low Fire .....	<b>500,000</b>	BTU/HR
Input - High Fire .....	<b>2,500,000</b>	BTU/HR
Output - High Fire .....	<b>2,425,000</b>	BTU/HR
Boiler Horsepower .....	<b>72.4</b>	BHP
Thermal Efficiency .....	<b>97.0%</b>	
Low Fire Thermal Efficiency .....	<b>Up to 99%</b>	
Fuel .....	<b>Natural Gas</b>	
Firing Rate .....	<b>Full Modulation</b>	
Burner Turndown .....	<b>5:1</b>	
Low NOx Emissions .....	<b>&lt; 10 ppm</b>	
Inlet Gas Pressure (NG) .....	<b>4" wc</b>	Min.
	<b>14" wc</b>	Max.
Shipping Weight, Approximate .....	<b>2,281 lbs</b>	

DIMENSIONS / CONNECTIONS	
- Height .....	<b>55"</b>
- Width .....	<b>46"</b>
- Length .....	<b>75-5/8"</b>
- Supply Connection .....	<b>4" Grooved</b>
- Return Connection .....	<b>4" Grooved</b>
- Vent / Air Intake Connections .....	<b>10"</b>
- Gas Connection .....	<b>2" NPT</b>

STANDARD EQUIPMENT	
- ASME Stainless Steel Heat Exchanger	
- Stainless Steel Pre-Mix Burner	
- Variable Speed Combustion Blower	
- Concert Boiler Control™ (24v)	
> 7" Color Touch Screen	
> Peer-To-Peer Boiler Communications (Up to 8 Units)	
> Energy Management System (EMS) Interface	
> USB Data Port Transfer	
> Self-Guiding Diagnostics	
> Unmatched Archives	
- High Limit Temperature Control, Manual Reset	
- Water Flow Switch	
- Low Water Cutoff, Manual Reset	
- Condensate Trap	
- Blocked Condensate Switch	
- Combustion Air Switch	
- Pressure Relief Valve	
- Pressure / Temperature Gauge	
- Supply & Return Temperature Sensors	
- Flue Gas Temperature Sensor	
- Modulating Gas Valve	
- Direct Spark Ignition and UV Scanner	
- High/Low Gas Pressure Switches, Manual Reset	
- 120/1/60 Line Voltage (< 11 amps)	
- 208-240v/1ph/60hz Line Voltage (< 5.5 amps)	
- Category IV Individual Venting	
- Category II Common Venting with Engineered Vent System	
- CPVC, Polypropylene & Stainless Steel Acceptable *Material	
- Sealed or Room Combustion Air Intake	



NOTES: 1. Dimensions shown are for reference only

FLOWS AND PRESSURE DROPS		
Delta T	Flow (GPM)	Δ P (Ft. Hd)
20°F Δ T (Max)	<b>243</b>	<b>14.8</b>
25°F Δ T	<b>194</b>	<b>10.9</b>
30°F Δ T	<b>162</b>	<b>8.3</b>
35°F Δ T	<b>139</b>	<b>6.7</b>
40°F Δ T	<b>121</b>	<b>5.8</b>
45°F Δ T	<b>108</b>	<b>4.6</b>
50°F Δ T	<b>97</b>	<b>4.4</b>
55°F Δ T (Min)	<b>88</b>	<b>3.5</b>

## BFIT-2500

PROPERTY OF

783 N Chili Ave | Peru, IN 46970

**Boiler Technology Leadership Since 1916**

[www.bryanboilers.com](http://www.bryanboilers.com)

\* Flue system material shall be capable of continuous operation at 210°F or higher and shall be certified to UL 1738 – venting system for gas-burning appliances cat II, III and IV.