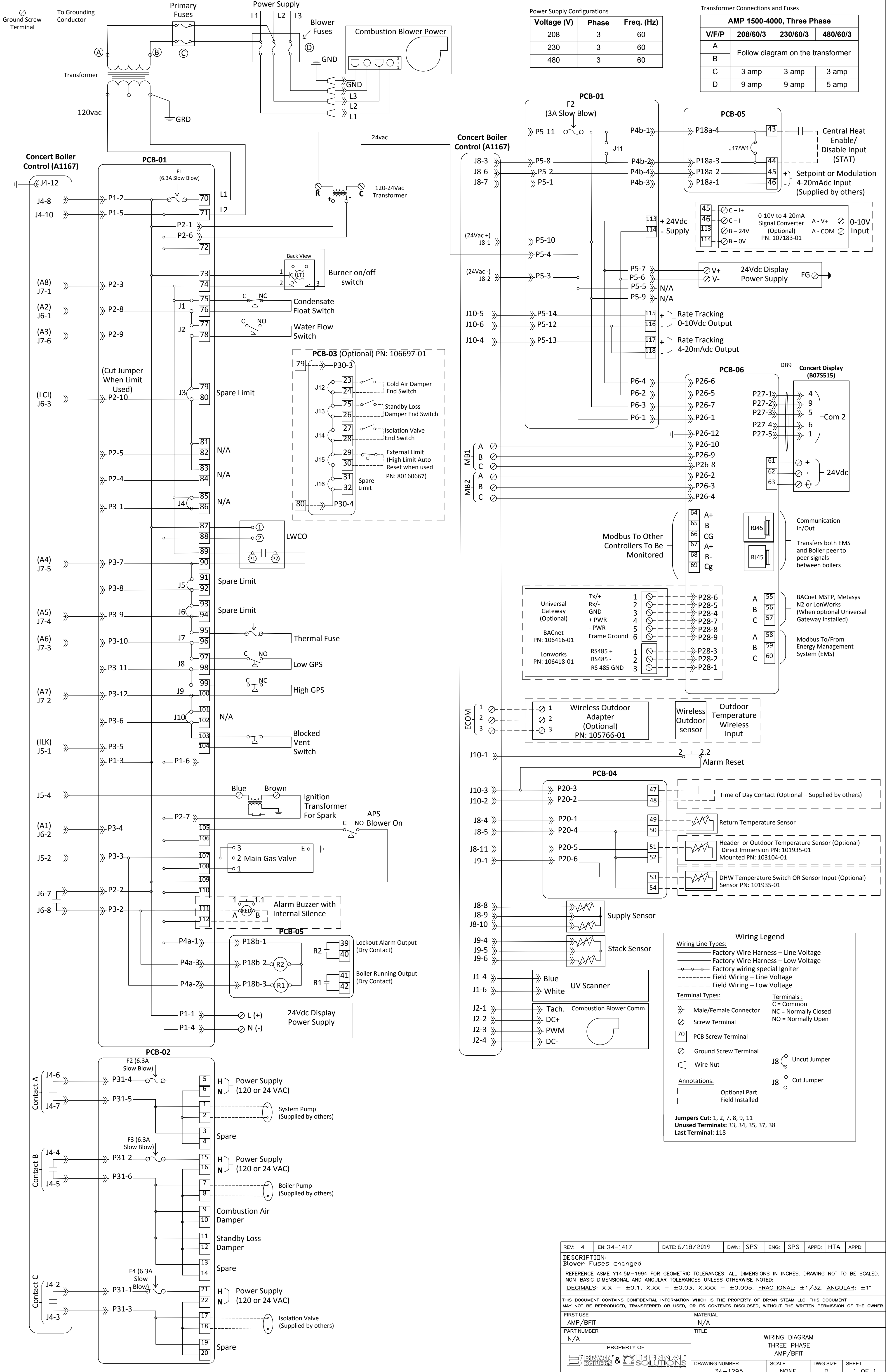


Boiler must be grounded in accordance with ANSI National Electric Code.

**IMPORTANT:** The wiring shown for devices supplied and installed by others is suggested only. Certification of, and responsibility for the correctness of the wiring is the responsibility of the supplier of these devices. Thermal Solutions accepts no responsibility for the correctness or safety or execution of this wiring or of the operation of such devices.



REV: 4	EN: 34-1417	DATE: 6/18/2019	DWN: SPS	ENG: SPS	APPD: HTA	APPD:
DESCRIPTION: Blower Fuses changed						
REFERENCE ASME Y14.5M-1994 FOR GEOMETRIC TOLERANCES. ALL DIMENSIONS IN INCHES. DRAWING NOT TO BE SCALED. NON-BASIC DIMENSIONAL AND ANGULAR TOLERANCES UNLESS OTHERWISE NOTED.						
DECIMALS: X.X - ±0.1, X.XX - ±0.03, X.XXX - ±0.005. FRACTIONAL: ±1/32. ANGULAR: ±1°						
THIS DOCUMENT CONTAINS CONFIDENTIAL INFORMATION WHICH IS THE PROPERTY OF BRYAN STEAM LLC. THIS DOCUMENT MAY NOT BE REPRODUCED, TRANSFERRED OR USED, OR ITS CONTENTS DISCLOSED, WITHOUT THE WRITTEN PERMISSION OF THE OWNER.						
FIRST USE	MATERIAL	TITLE				
AMP/BFIT	N/A	WIRING DIAGRAM THREE PHASE AMP/BFIT				
PART NUMBER	N/A	PROPERTY OF <b>BRYAN STEAM &amp; THERMAL SOLUTIONS</b>				
N/A	N/A	DRAWING NUMBER	SCALE	DWG SIZE	SHEET	
N/A	N/A	34-1295	NONE	D	1 OF 1	