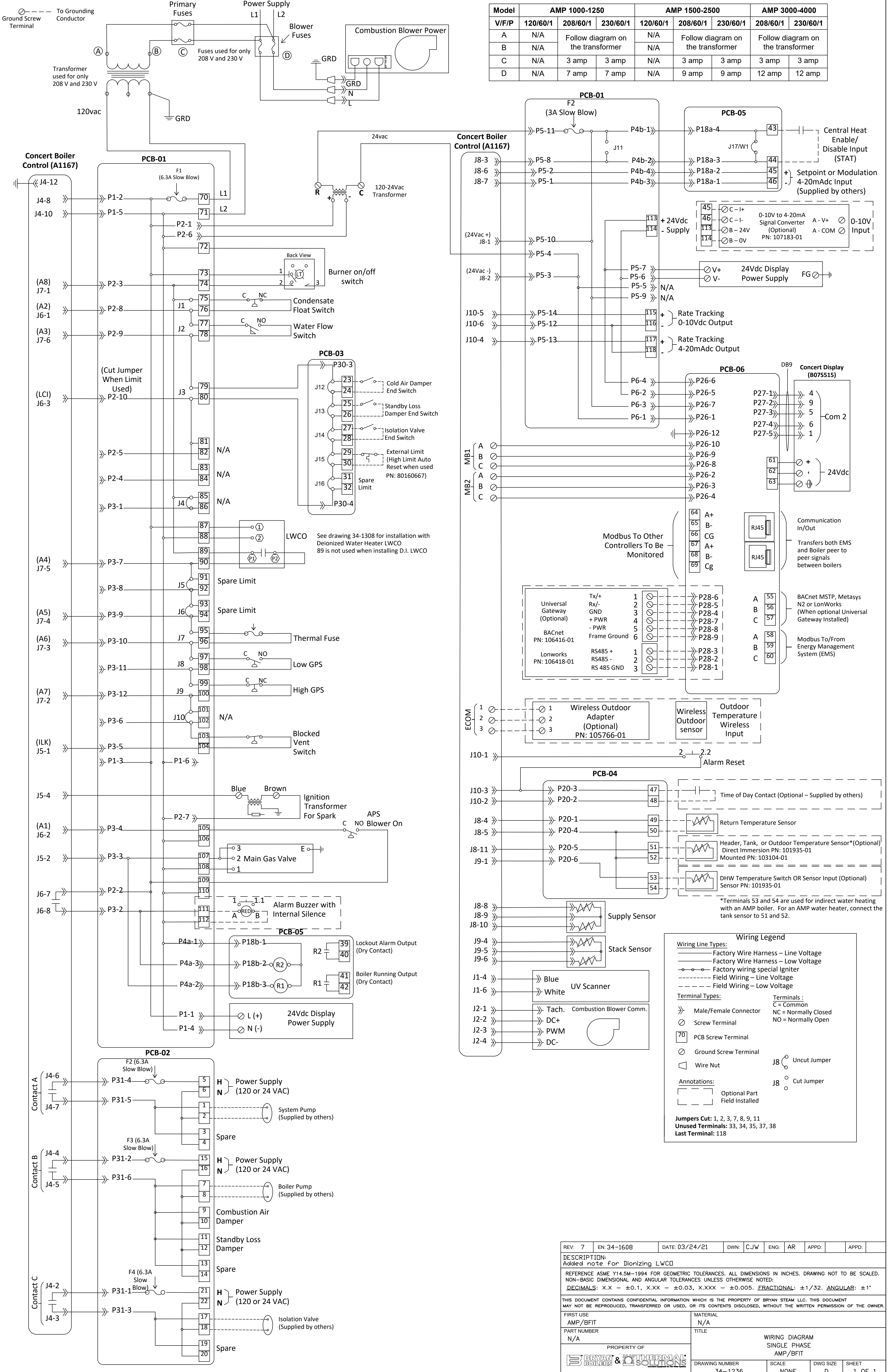


Boiler must be grounded in accordance with ANSI National Electric Code.

IMPORTANT: The wiring shown for devices supplied and installed by others is suggested only. Certification of, and responsibility for the correctness of the wiring is the responsibility of the supplier of these devices. Thermal Solutions accepts no responsibility for the correctness or safety or execution of this wiring or of the operation of such devices.



Model	AMP 1000-1250			AMP 1500-2500			AMP 3000-4000			
	V/F/P	120/60/1	208/60/1	230/60/1	120/60/1	208/60/1	230/60/1	208/60/1	230/60/1	
A	N/A	Follow diagram on the transformer			N/A	Follow diagram on the transformer			Follow diagram on the transformer	
B	N/A	Follow diagram on the transformer			N/A	Follow diagram on the transformer			Follow diagram on the transformer	
C	N/A	3 amp	3 amp	N/A	3 amp	3 amp	3 amp	3 amp	3 amp	
D	N/A	7 amp	7 amp	N/A	9 amp	9 amp	12 amp	12 amp	12 amp	

Wiring Legend

Wiring Line Types:

- Factory Wire Harness – Line Voltage
- Factory Wire Harness – Low Voltage
- Factory wiring special Igniter
- - - Field Wiring – Line Voltage
- - - Field Wiring – Low Voltage

Terminal Types:

- ⊕ Terminal : C = Common
- ⊕ Terminal : NC = Normally Closed
- ⊕ Terminal : NO = Normally Open
- ⊕ PCB Screw Terminal
- ⊕ Wire Nut
- ⊕ Ground Screw Terminal
- ⊕ Jumper

Annotations:

- ⊕ Optional Part
- ⊕ Field Installed

Jumpers Cut: 1, 2, 3, 7, 8, 9, 11
Unused Terminals: 33, 34, 35, 37, 38
Last Terminal: 118

REV: 7	EN: 34-1608	DATE: 03/24/21	DWN: C.J.W	ENG: AR	APPD:	APPD:
DESCRIPTION: Added note for Dionizing LWCD						
REFERENCE ASME Y14.5M-1994 FOR GEOMETRIC TOLERANCES. ALL DIMENSIONS IN INCHES. DRAWING NOT TO BE SCALED. NON-BASIC DIMENSIONAL AND ANGULAR TOLERANCES UNLESS OTHERWISE NOTED.						
DECIMALS: X.X - ±0.1, X.XX - ±0.03, X.XXX - ±0.005. FRACTIONAL: ±1/32. ANGULAR: ±1°						
THIS DOCUMENT CONTAINS CONFIDENTIAL INFORMATION WHICH IS THE PROPERTY OF BRYAN STEAM LLC. THIS DOCUMENT MAY NOT BE REPRODUCED, TRANSFERRED OR USED, OR ITS CONTENTS DISCLOSED, WITHOUT THE WRITTEN PERMISSION OF THE OWNER.						
FIRST USE	MATERIAL	TITLE				
AMP/BFIT	N/A	WIRING DIAGRAM				
PART NUMBER	N/A	SINGLE PHASE				
N/A	N/A	AMP/BFIT				
PROPERTY OF			DRAWING NUMBER			
BRYAN STEAM & THERMAL SOLUTIONS			34-1236			
SCALE			DWG SIZE		SHEET	
NONE			D		1 OF 1	