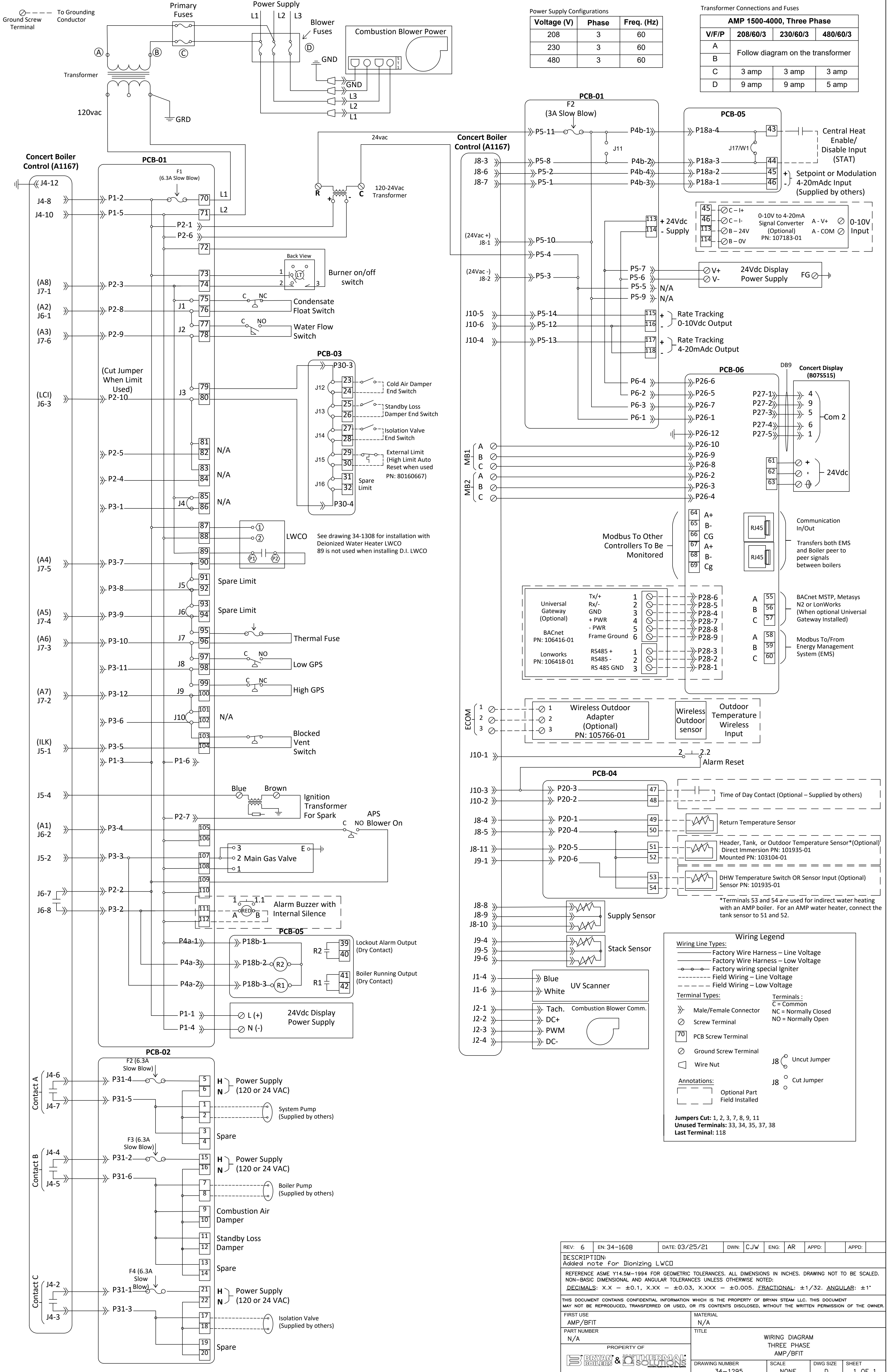


Boiler must be grounded in accordance with ANSI National Electric Code.

IMPORTANT: The wiring shown for devices supplied and installed by others is suggested only. Certification of, and responsibility for the correctness of the wiring is the responsibility of the supplier of these devices. Thermal Solutions accepts no responsibility for the correctness or safety or execution of this wiring or of the operation of such devices.

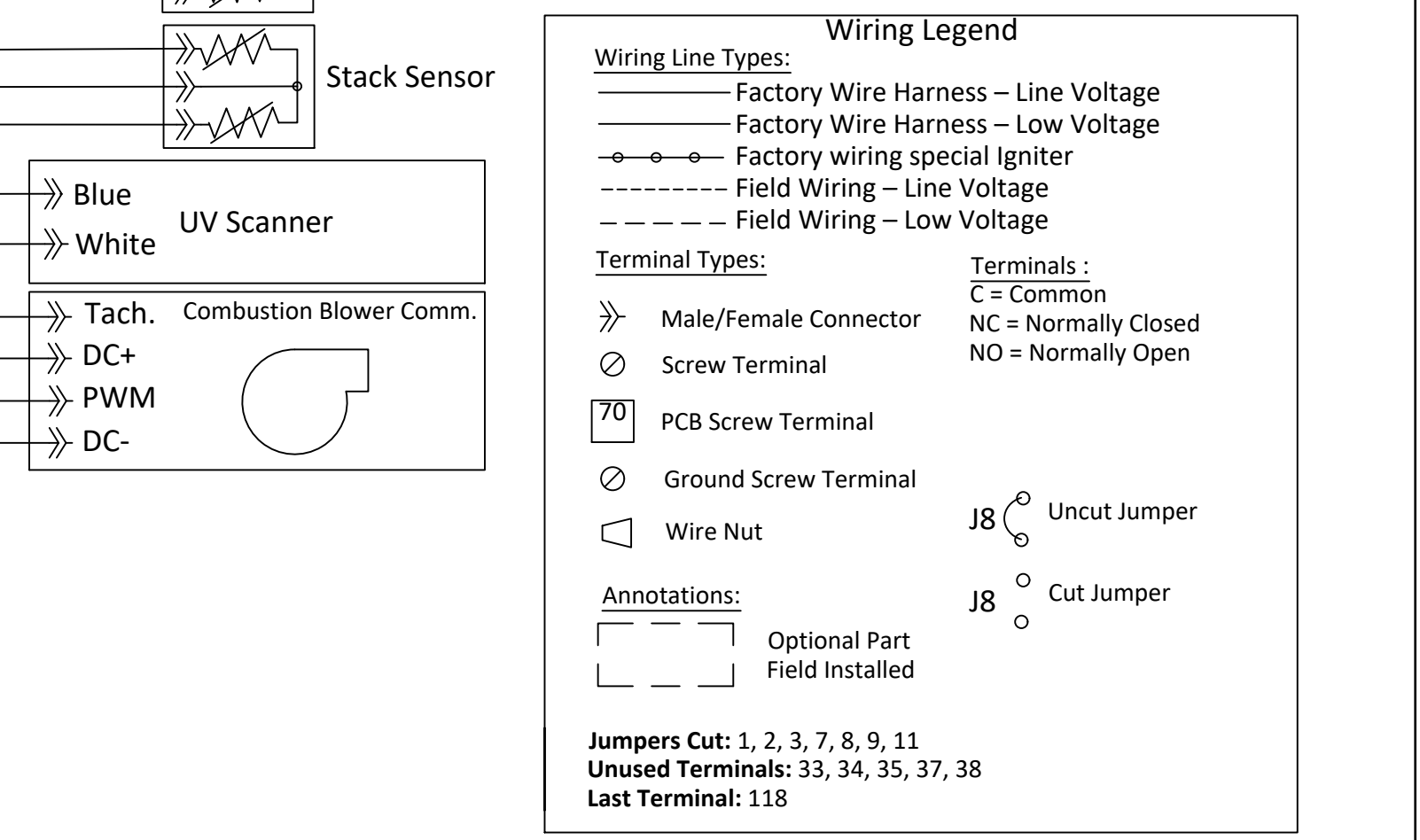
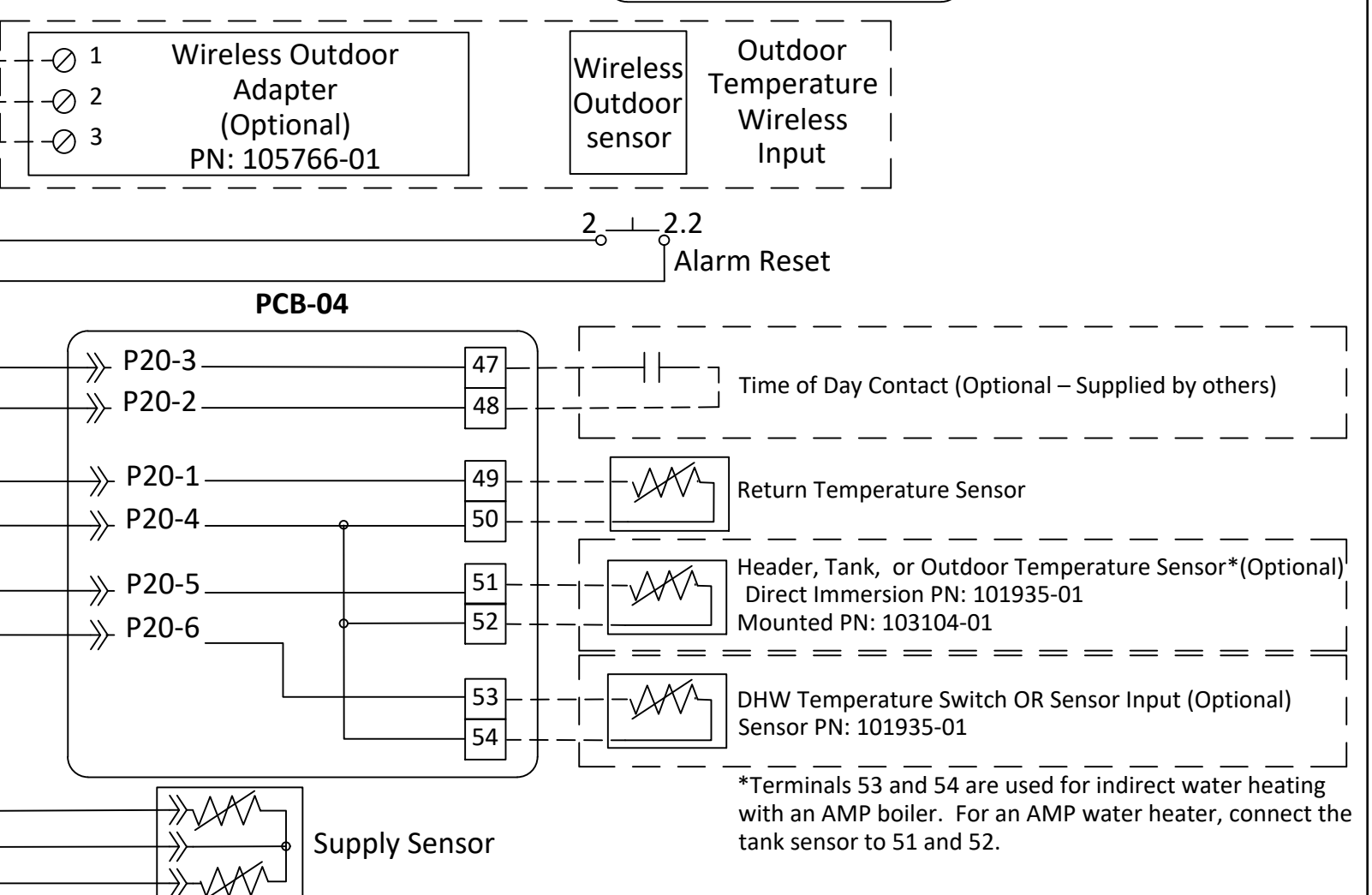
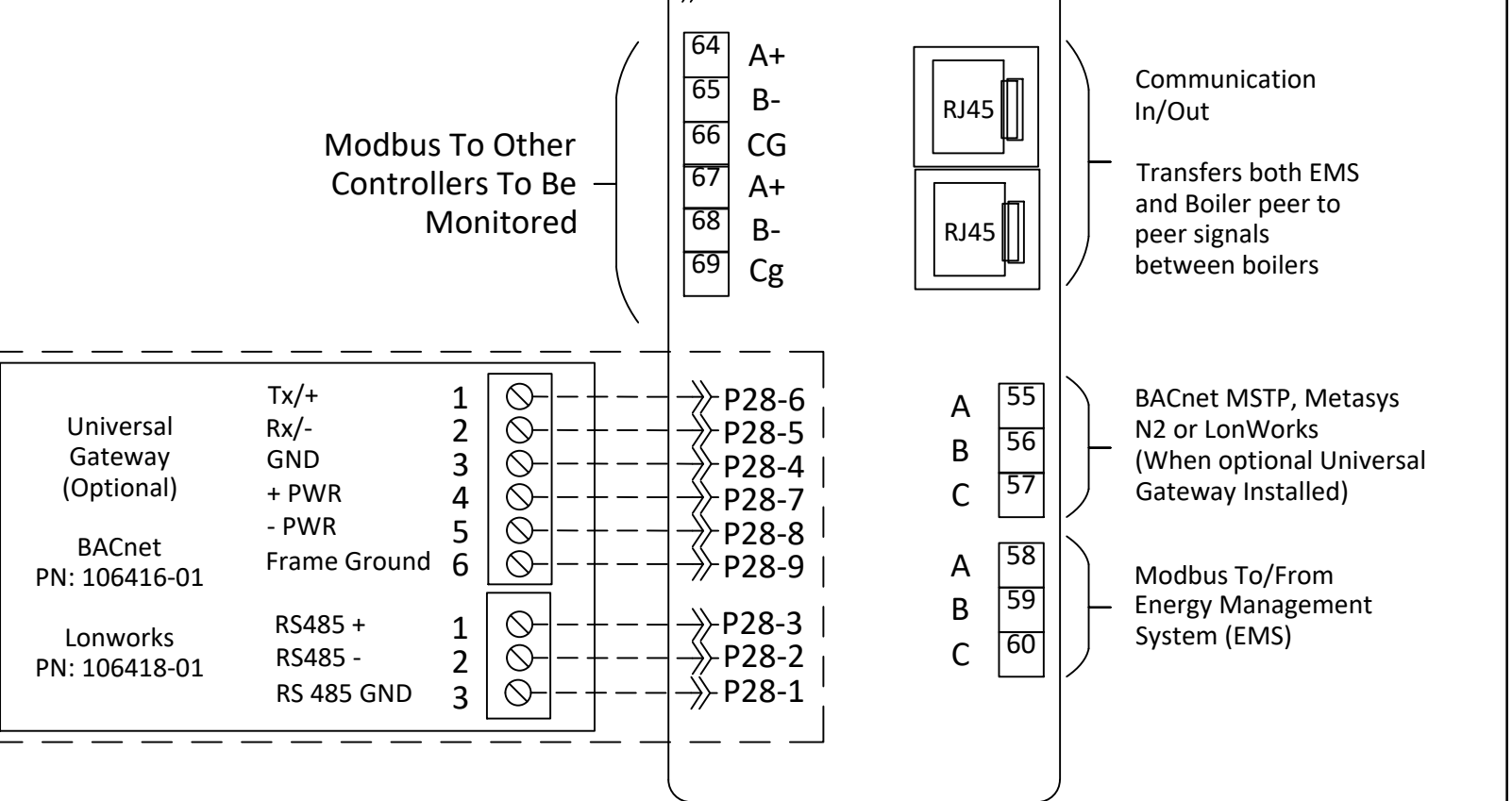
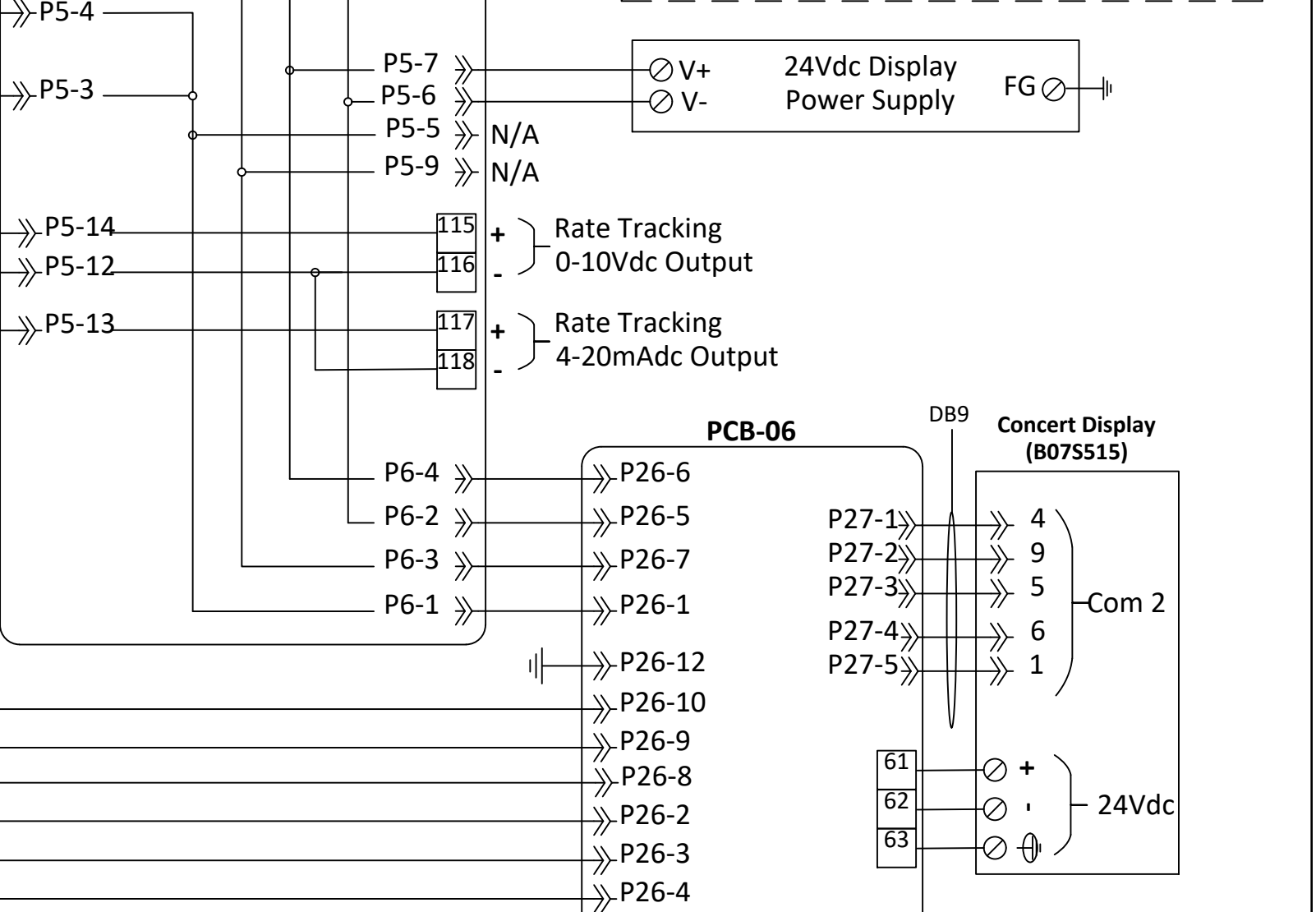
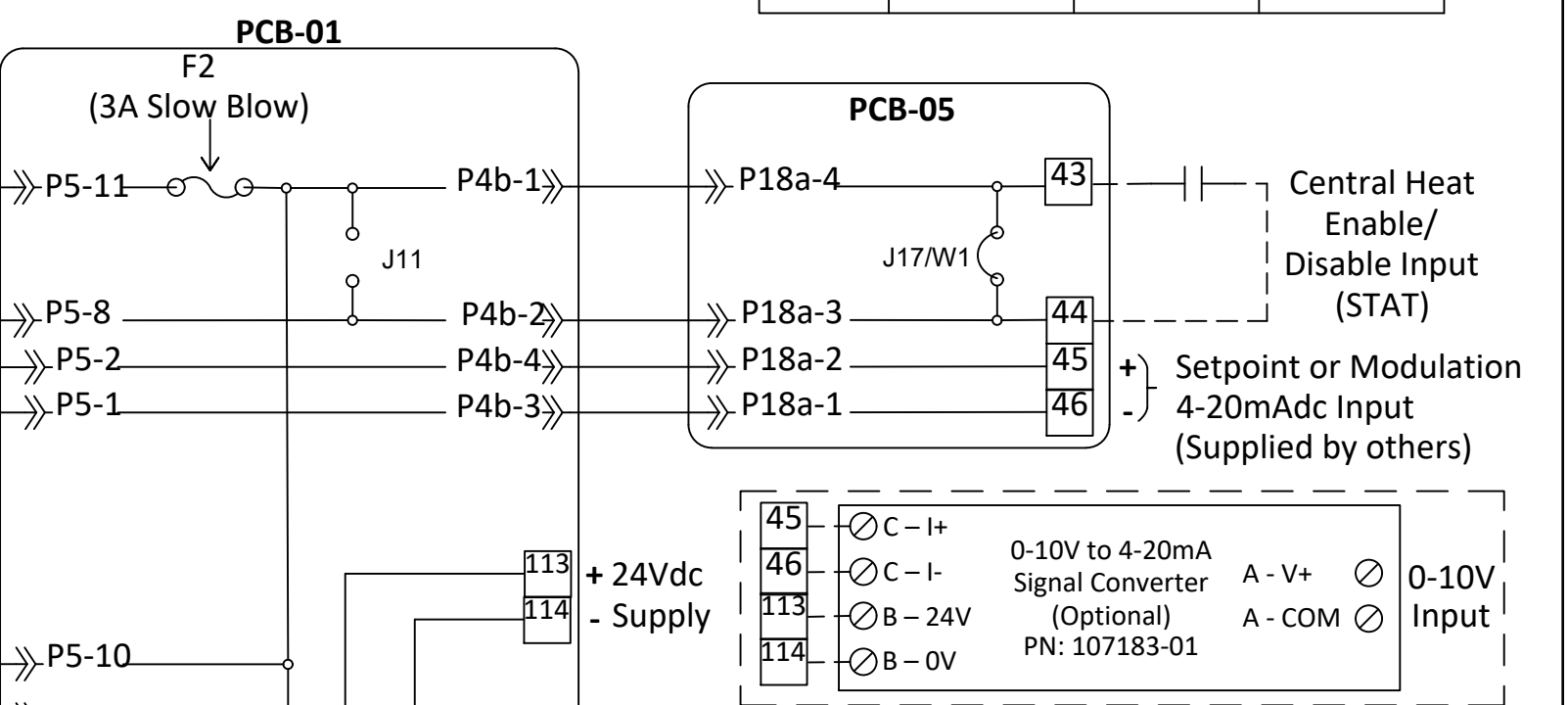


Power Supply Configurations

Voltage (V)	Phase	Freq. (Hz)
208	3	60
230	3	60
480	3	60

Transformer Connections and Fuses

AMP 1500-4000, Three Phase			
V/F/P	208/60/3	230/60/3	480/60/3
A	Follow diagram on the transformer		
B	Follow diagram on the transformer		
C	3 amp	3 amp	3 amp
D	9 amp	9 amp	5 amp



REV: 6	EN: 34-1608	DATE: 03/25/21	DWN: C.J.W	ENG: AR	APPD:	APPD:
DESCRIPTION: Added note for Dionizing LWCO						
REFERENCE ASME Y14.5M-1994 FOR GEOMETRIC TOLERANCES. ALL DIMENSIONS IN INCHES. DRAWING NOT TO BE SCALED. NON-BASIC DIMENSIONAL AND ANGULAR TOLERANCES UNLESS OTHERWISE NOTED.						
DECIMALS: X.X - ±0.1, X.XX - ±0.03, X.XXX - ±0.005. FRACTIONAL: ±1/32. ANGULAR: ±1°						
THIS DOCUMENT CONTAINS CONFIDENTIAL INFORMATION WHICH IS THE PROPERTY OF BRYAN STEAM LLC. THIS DOCUMENT MAY NOT BE REPRODUCED, TRANSFERRED OR USED, OR ITS CONTENTS DISCLOSED, WITHOUT THE WRITTEN PERMISSION OF THE OWNER.						
FIRST USE	MATERIAL	TITLE				
AMP/BFIT	N/A	WIRING DIAGRAM				
PART NUMBER	N/A	THREE PHASE				
N/A	N/A	AMP/BFIT				
PROPERTY OF		DRAWING NUMBER				
BRYAN STEAM & THERMAL SOLUTIONS		34-1295				
SCALE		DWG SIZE		SHEET		
NONE		D		1 OF 1		