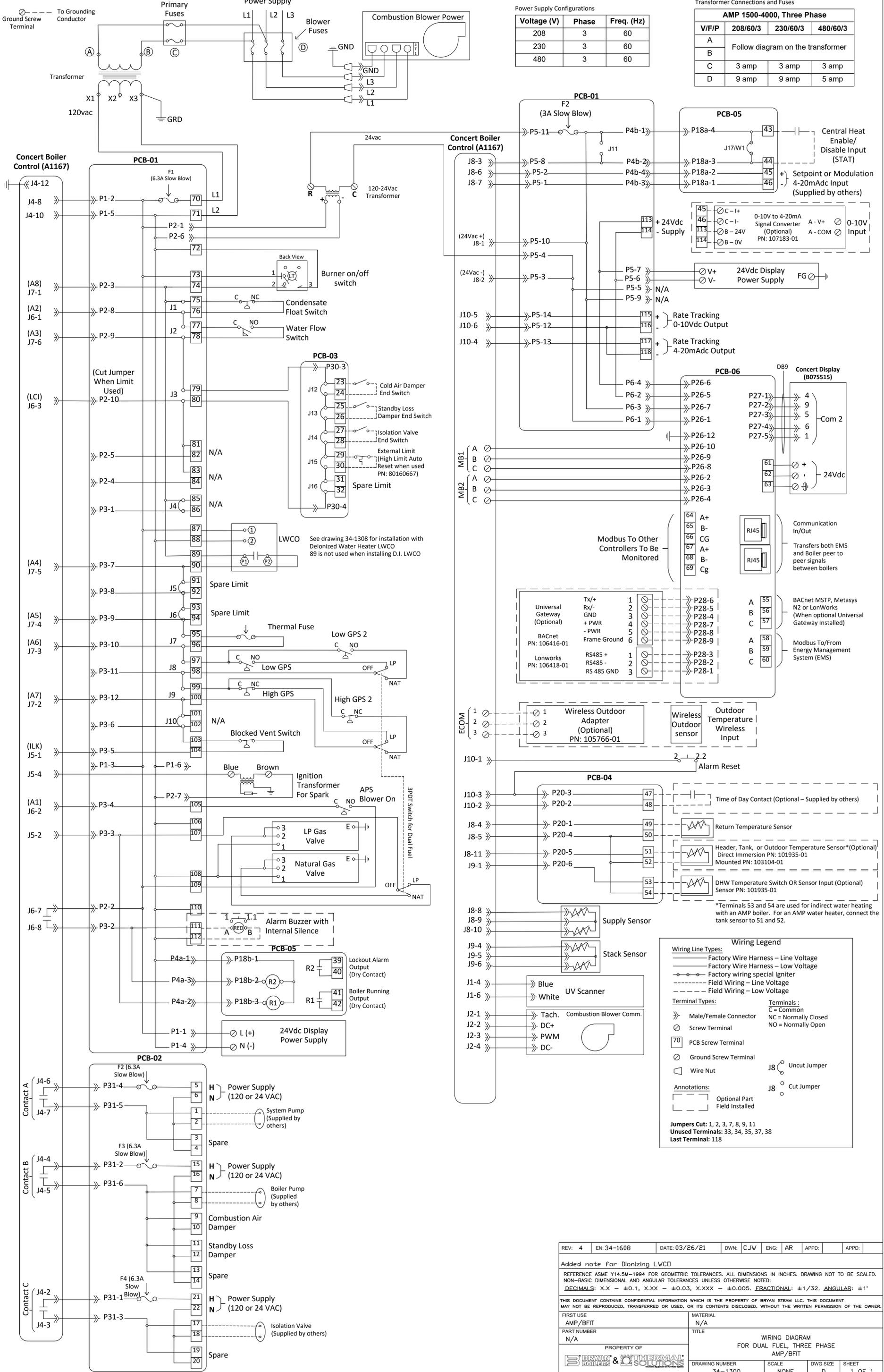


Boiler must be grounded in accordance with ANSI National Electric Code.

IMPORTANT: The wiring shown for devices supplied and installed by others is suggested only. Certification of, and responsibility for the correctness of the wiring is the responsibility of the supplier of these devices. Thermal Solutions accepts no responsibility for the correctness or safety or execution of this wiring or of the operation of such devices.

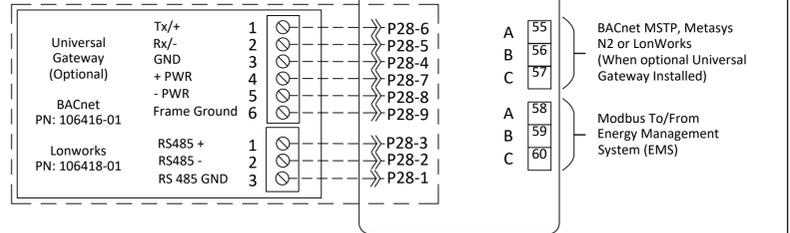
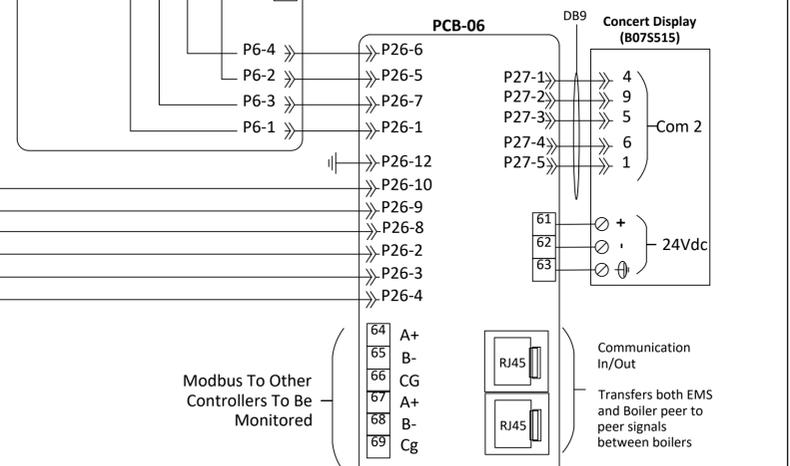
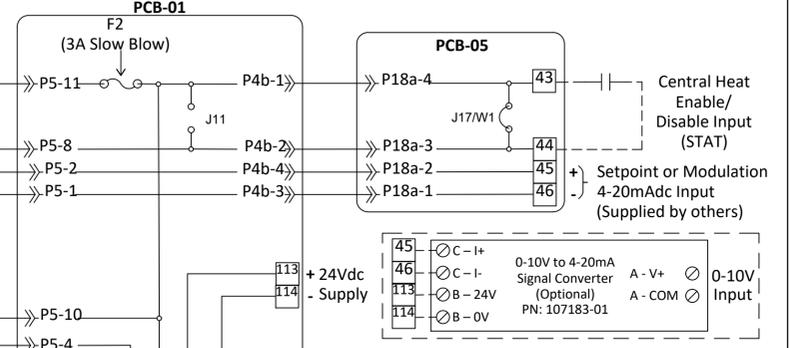


Power Supply Configurations

Voltage (V)	Phase	Freq. (Hz)
208	3	60
230	3	60
480	3	60

Transformer Connections and Fuses

AMP 1500-4000, Three Phase			
V/F/P	208/60/3	230/60/3	480/60/3
A	Follow diagram on the transformer		
B	Follow diagram on the transformer		
C	3 amp	3 amp	3 amp
D	9 amp	9 amp	5 amp



Wiring Legend

Wiring Line Types:

- Factory Wire Harness - Line Voltage
- Factory Wire Harness - Low Voltage
- Factory wiring special Igniter
- Field Wiring - Line Voltage
- Field Wiring - Low Voltage

Terminal Types:

- Male/Female Connector
- Screw Terminal
- Ground Screw Terminal
- Wire Nut
- PCB Screw Terminal

Terminal Annotations:

- Optional Part Field Installed

Terminal Symbols:

- C = Common
- NC = Normally Closed
- NO = Normally Open
- J8 (circle) = Uncut Jumper
- J8 (square) = Cut Jumper

Jumpers Cut: 1, 2, 3, 7, 8, 9, 11
Unused Terminals: 33, 34, 35, 37, 38
Last Terminal: 118

REV: 4	EN: 34-1608	DATE: 03/26/21	DWN: C.J.W	ENG: AR	APPD:	APPD:
Added note for Dionizing LWCD						
REFERENCE ASME Y14.5M-1994 FOR GEOMETRIC TOLERANCES. ALL DIMENSIONS IN INCHES. DRAWING NOT TO BE SCALED. NON-BASIC DIMENSIONAL AND ANGULAR TOLERANCES UNLESS OTHERWISE NOTED.						
DECIMALS: X.X - ±0.1, X.XX - ±0.03, X.XXX - ±0.005. FRACTIONAL: ±1/32. ANGULAR: ±1°						
THIS DOCUMENT CONTAINS CONFIDENTIAL INFORMATION WHICH IS THE PROPERTY OF BRYAN STEAM LLC. THIS DOCUMENT MAY NOT BE REPRODUCED, TRANSFERRED OR USED, OR ITS CONTENTS DISCLOSED, WITHOUT THE WRITTEN PERMISSION OF THE OWNER.						
FIRST USE	AMP/BFIT	MATERIAL	TITLE			
PART NUMBER	N/A	N/A	WIRING DIAGRAM FOR DUAL FUEL, THREE PHASE AMP/BFIT			
PROPERTY OF			DRAWING NUMBER			
BRYAN STEAM LLC & THERMAL SOLUTIONS			34-1300			
			SCALE		DWG SIZE	
			NONE		D	
			SHEET		1 OF 1	