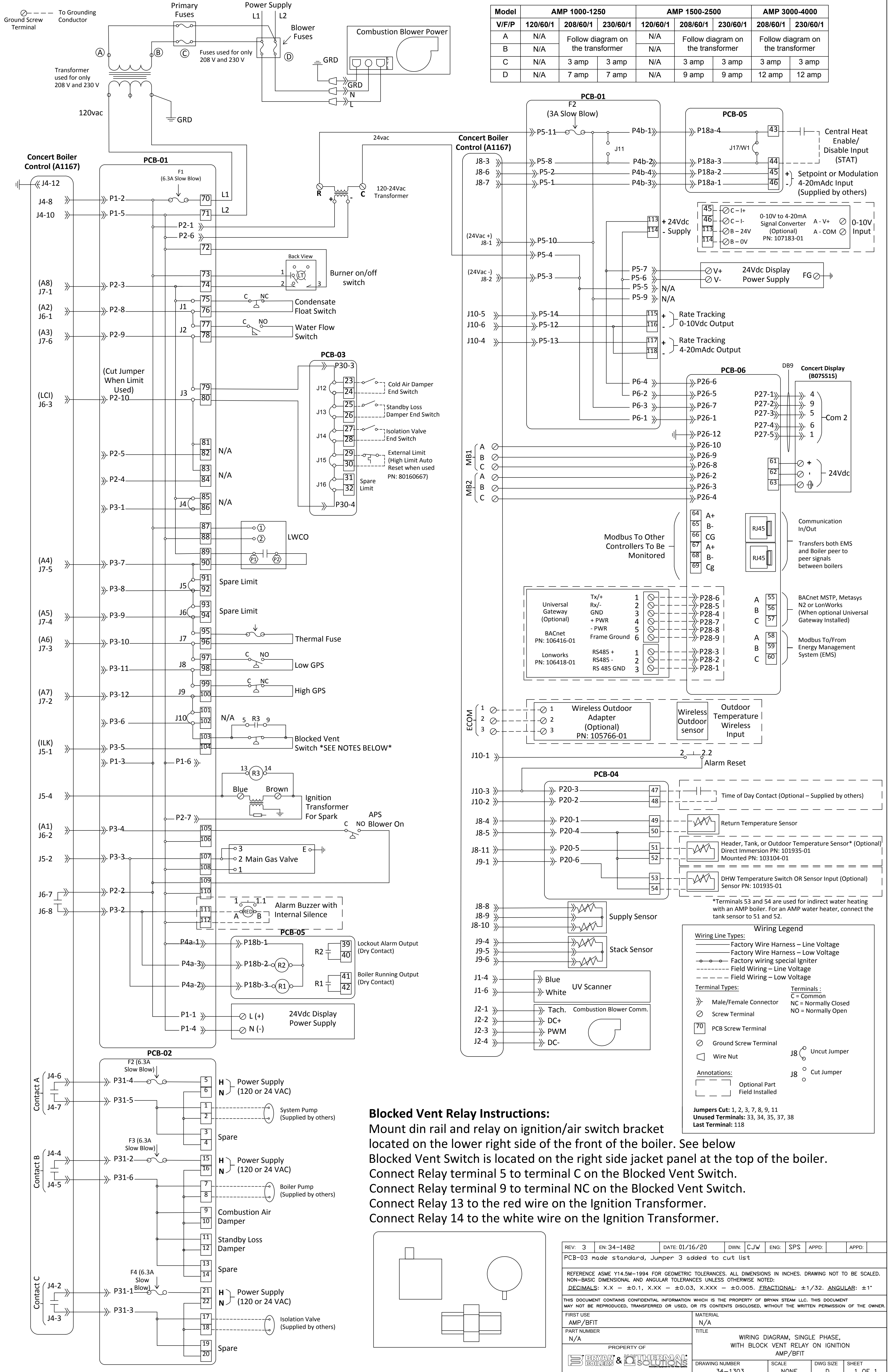


Boiler must be grounded in accordance with ANSI National Electric Code.

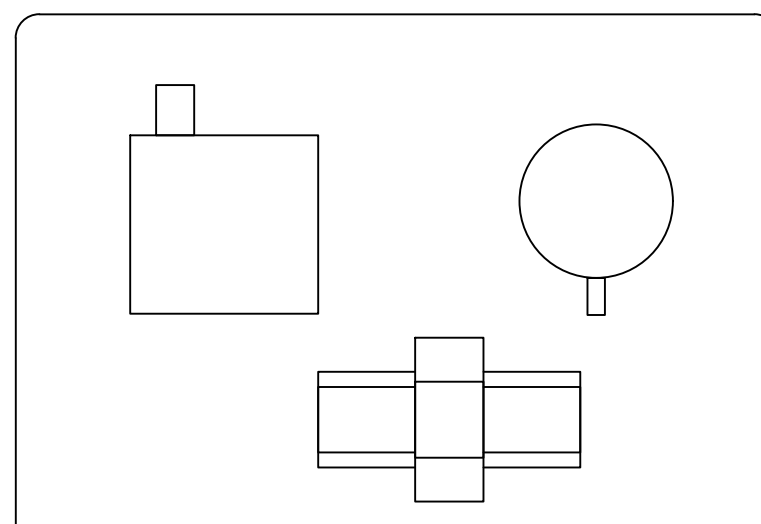
IMPORTANT: The wiring shown for devices supplied and installed by others is suggested only. Certification of, and responsibility for the correctness of the wiring is the responsibility of the supplier of these devices. Thermal Solutions accepts no responsibility for the correctness or safety or execution of this wiring or of the operation of such devices.



Model	AMP 1000-1250			AMP 1500-2500			AMP 3000-4000			
	V/F/P	120/60/1	208/60/1	230/60/1	120/60/1	208/60/1	230/60/1	208/60/1	230/60/1	
A	N/A	Follow diagram on the transformer			N/A	Follow diagram on the transformer			Follow diagram on the transformer	
B	N/A	Follow diagram on the transformer			N/A	Follow diagram on the transformer			Follow diagram on the transformer	
C	N/A	3 amp	3 amp	3 amp	N/A	3 amp	3 amp	3 amp	3 amp	
D	N/A	7 amp	7 amp	7 amp	N/A	9 amp	9 amp	12 amp	12 amp	

Blocked Vent Relay Instructions:

Mount din rail and relay on ignition/air switch bracket located on the lower right side of the front of the boiler. See below
 Blocked Vent Switch is located on the right side jacket panel at the top of the boiler.
 Connect Relay terminal 5 to terminal C on the Blocked Vent Switch.
 Connect Relay terminal 9 to terminal NC on the Blocked Vent Switch.
 Connect Relay 13 to the red wire on the Ignition Transformer.
 Connect Relay 14 to the white wire on the Ignition Transformer.



REV: 3	EN: 34-1482	DATE: 01/16/20	DWN: C.J.W	ENG: SPS	APPD:	APPD:
PCB-03 made standard, Jumper 3 added to cut list						
REFERENCE ASME Y14.5M-1994 FOR GEOMETRIC TOLERANCES. ALL DIMENSIONS IN INCHES. DRAWING NOT TO BE SCALED. NON-BASIC DIMENSIONAL AND ANGULAR TOLERANCES UNLESS OTHERWISE NOTED.						
DECIMALS: X.X - ±0.1, X.XX - ±0.03, X.XXX - ±0.005. FRACTIONAL: ±1/32. ANGULAR: ±1°						
THIS DOCUMENT CONTAINS CONFIDENTIAL INFORMATION WHICH IS THE PROPERTY OF BRYAN STEAM LLC. THIS DOCUMENT MAY NOT BE REPRODUCED, TRANSFERRED OR USED, OR ITS CONTENTS DISCLOSED, WITHOUT THE WRITTEN PERMISSION OF THE OWNER.						
FIRST USE	MATERIAL	TITLE				
AMP/BFIT	N/A	WIRING DIAGRAM, SINGLE PHASE, WITH BLOCK VENT RELAY ON IGNITION AMP/BFIT				
PART NUMBER	N/A	DRAWING NUMBER				
N/A	N/A	34-1303				
PROPERTY OF		SCALE	DWG SIZE	SHEET		
BRYAN STEAM & THERMAL SOLUTIONS		NONE	D	1 OF 1		