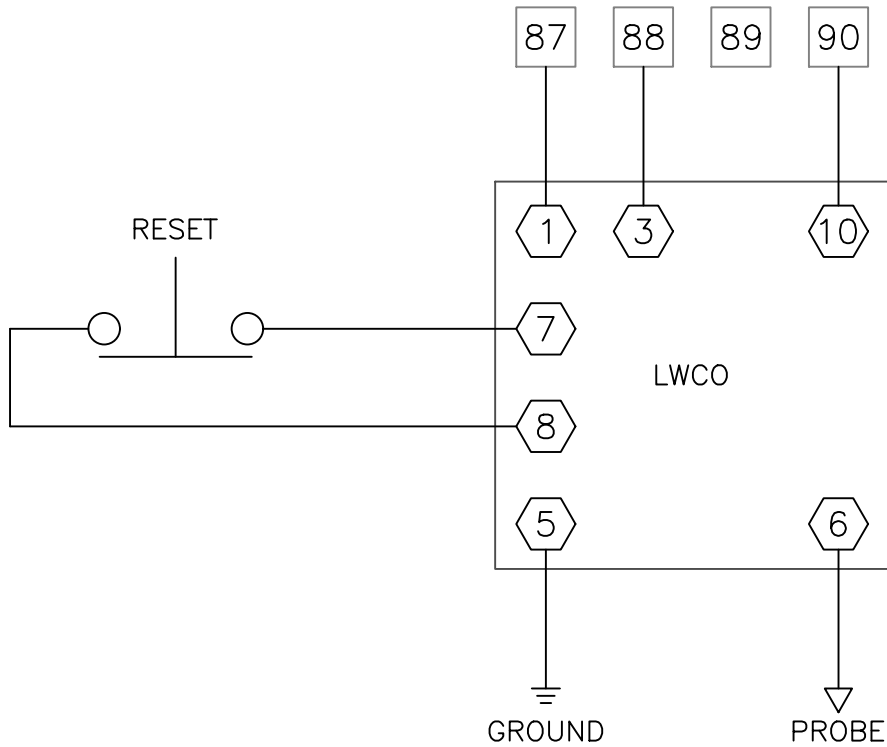


NOTE: 89 IS
NOT USED WHEN
INSTALLING D.I.
LWCO




REV: 1	EN: 34-1608	DATE: 3/22/21	DWN: CJW	ENG: AR	APPD:	APPD:
--------	-------------	---------------	----------	---------	-------	-------

Added note to terminal 89

REFERENCE ASME Y14.5M-1994 FOR GEOMETRIC TOLERANCES. ALL DIMENSIONS IN INCHES. DRAWING NOT TO BE SCALED. NON-BASIC DIMENSIONAL AND ANGULAR TOLERANCES UNLESS OTHERWISE NOTED:

DECIMALS: X.X - ±0.1, X.XX - ±0.03, X.XXX - ±0.005. FRACTIONAL: ±1/32. ANGULAR: ±1°

THIS DOCUMENT CONTAINS CONFIDENTIAL INFORMATION WHICH IS THE PROPERTY OF BRYAN STEAM LLC. THIS DOCUMENT MAY NOT BE REPRODUCED, TRANSFERRED OR USED, OR ITS CONTENTS DISCLOSED, WITHOUT THE WRITTEN PERMISSION OF THE OWNER.

FIRST USE Various	MATERIAL N/A		
PART NUMBER N/A	TITLE Supplemental Wiring Diagram, Deionizing Water Heater LWCO Probe Type 26ME1A1A(GEMS) ARC/FF AND AMP/BFIT		
PROPERTY OF			
			
DRAWING NUMBER 34-1308	SCALE None	DWG SIZE A	SHEET 1 OF 1