



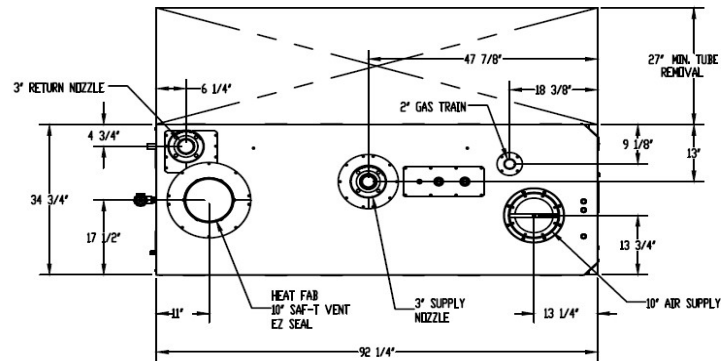
# FREE FLEX CONDENSING BOILERS, REVERSE CONSTRUCTION - SUBMITTAL DATA SHEET

RATINGS AND CAPACITIES		
Input - Low Fire .....	500,000	BTU/HR
Input - High Fire .....	2,500,000	BTU/HR
Output - High Fire .....	2,375,000	BTU/HR
Boiler Horsepower .....	70.9	BHP
Thermal Efficiency .....	95.0%	
Low Fire Thermal Efficiency .....	Up to 99%	
Heating Surface .....	918	Sq.Ft.
Water Content .....	39.3	Gallons
Fuel .....	<b>Natural Gas</b>	
Firing Rate .....	<b>Full Modulation</b>	
Burner Turndown .....	5:1	
Low NOx Emissions .....	<b>Capable, Consult Factory</b>	
Inlet Gas Pressure (NG) .....	4" wc	Min.
	14" wc	Max.
Shipping Weight, Approximate .....	3,060	lbs

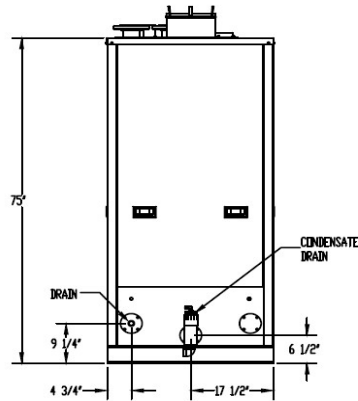
ASME Section IV (Max 160 PSIG / 210°F)	
ETL Certified to UL 795 and CAN 3.1.1	

DIMENSIONS / CONNECTIONS	
- Height .....	75"
- Width .....	34-3/4"
- Length .....	92-1/4"
- Supply / Return Connections .....	3" Flange
- Vent / Air Intake Connections .....	10"
- Condensate / Boiler Drain Conn. ....	1"
- Gas Connection .....	2"

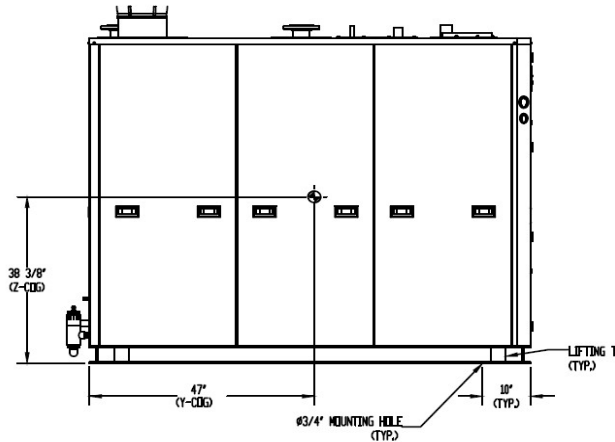
STANDARD EQUIPMENT	
- ASME Stainless Steel Heat Exchanger	
- Stainless Steel Mesh Pre-Mix Burner	
- Variable Speed Combustion Blower	
- Concert Boiler Control™ (24v) With 7" Color Touch Screen	
> Peer-To-Peer Boiler Communications (Up to 8 Units)	
> Energy Management System (EMS) Interface	
> USB Data Port Transfer	
> Self-Guiding Diagnostics	
> Unmatched Archives	
- High Limit Temperature Control, Manual Reset	
- Blower Motor (See HP below with voltage options)	
- Water Flow Switch	
- Low Water Cutoff, Manual Reset	
- Condensate Trap	
- Blocked Condensate Switch	
- Combustion Air Proving Switch	
- Blocked Vent Air Switch	
- Pressure Relief Valve	
- Pressure & Temperature Gauges	
- Supply & Return Temperature Sensors	
- Flue Gas Temperature Sensor	
- Modulating Gas Valve	
- Direct Spark Ignition / UV Scanner	
- High/Low Gas Pressure Switches, Manual Reset	
- 120/1/60 Line Voltage (15.6 Amps); 1.5 HP Blower	
- 208-240/1/60 Line Voltage (8.3 Amps); 1.5 HP Blower	
- 208-240/3/60 Line Voltage (9.5 Amps); 3 HP Blower	
- 480/3/60 Line Voltage (5.25 Amps); 3.2 HP Blower	
- Category IV Individual Venting	
- Category II Common Venting with Engineered Vent System	
- Polypropylene & Stainless Steel Acceptable *Material	
- Ducted or Room Combustion Air Intake	



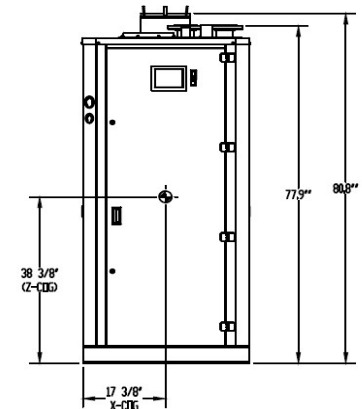
TOP VIEW



REAR VIEW



LEFT SIDE VIEW



FRONT VIEW

- NOTES:
1. Dimensions shown are for reference only
  2. See O&M for required installation clearances
  3. \*Flue system material shall be capable of continuous operation at 230°F or higher, have the same corrosion resistance to flue gas condensation as AL29-4C and shall be certified to UL 1738 – venting system for gas-burning appliances cat II, III and IV.

FLOWS AND PRESSURE DROPS					
Delta T	Flow (GPM)	Δ P (Ft. Hd)	Delta T	Flow (GPM)	Δ P (Ft. Hd)
20°F Δ T (Max)	238	20.00	50°F Δ T	95	3.20
25°F Δ T	190	12.80	60°F Δ T	79	2.22
30°F Δ T	158	8.89	70°F Δ T	68	1.63
35°F Δ T	136	6.53	80°F Δ T	59	1.25
40°F Δ T	119	5.00	90°F Δ T	53	0.99
45°F Δ T	106	3.95	100°F Δ T (Min)	48	0.80

## FF-2500R

PROPERTY OF

### BRYAN®

783 N Chili Ave | Peru, IN 46970  
Boiler Technology Leadership Since 1916  
www.bryanboilers.com