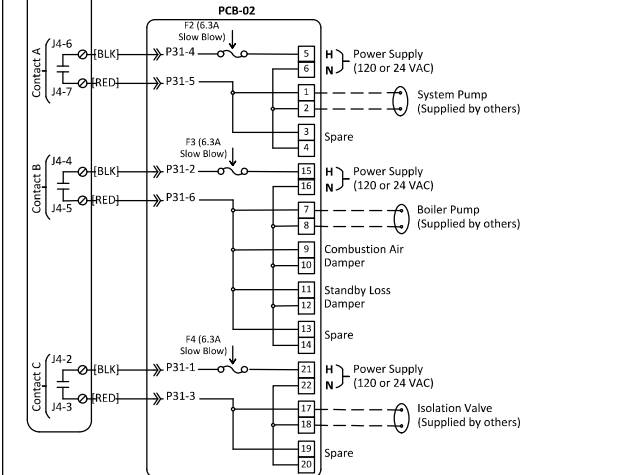
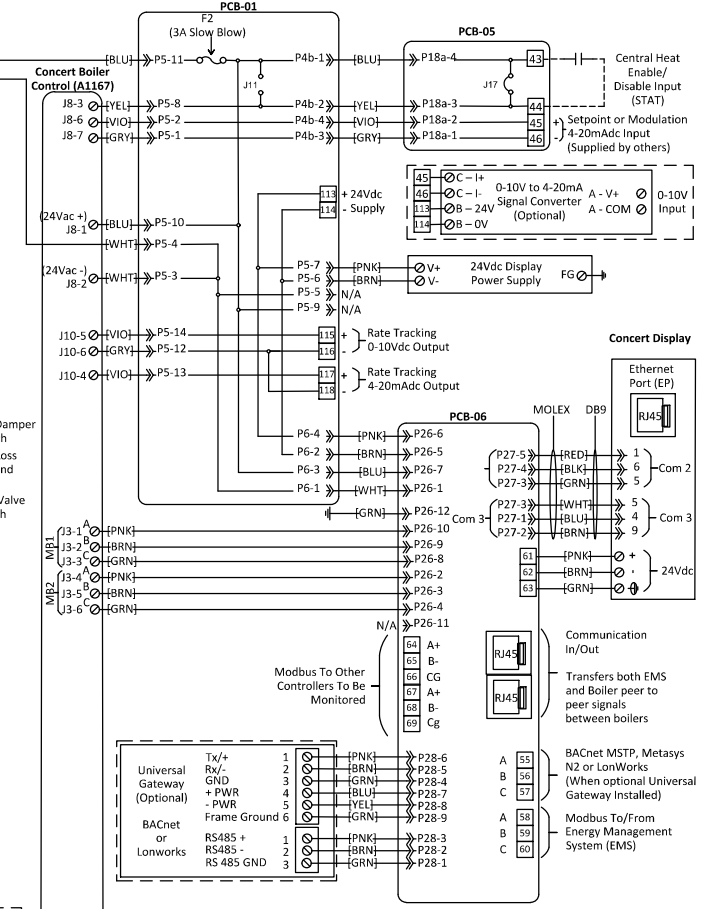
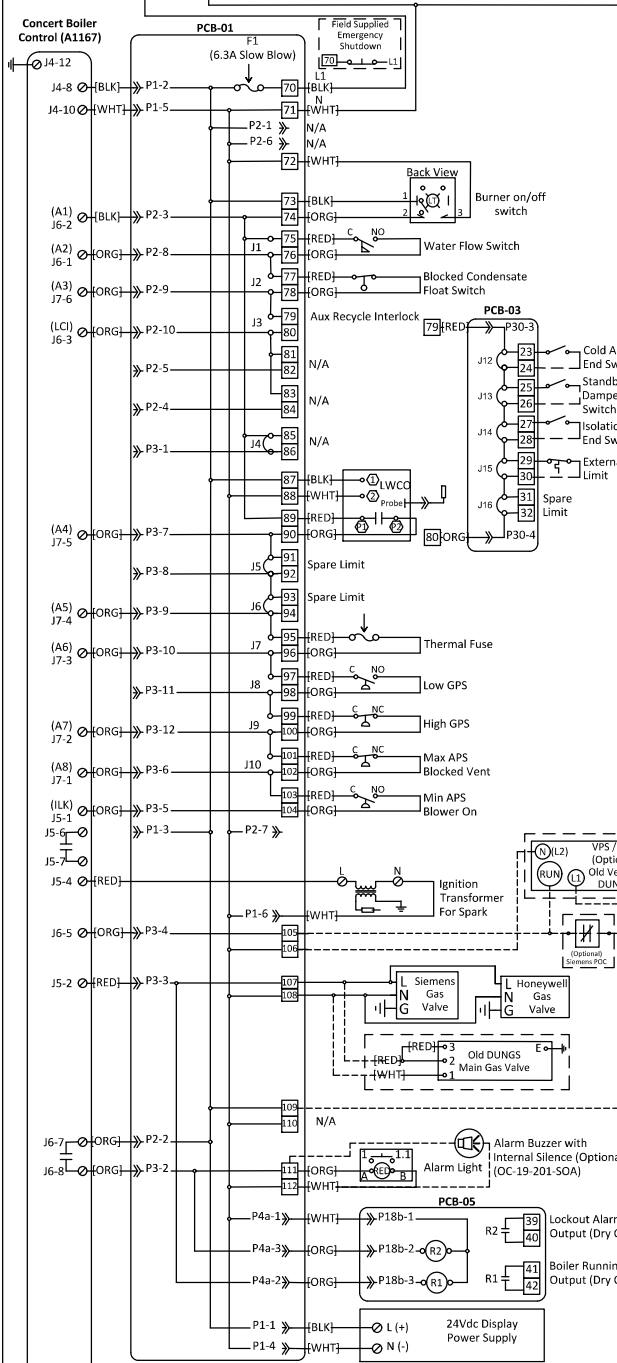
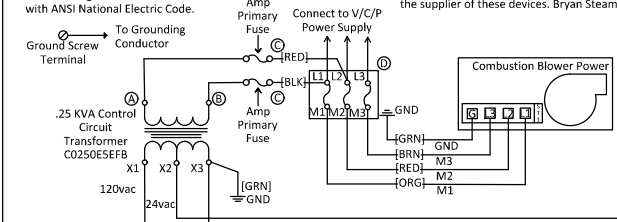


Boiler must be grounded in accordance with ANSI National Electric Code. **IMPORTANT:** The wiring shown for devices supplied and installed by others is suggested only. Certification of, or responsibility for the correctness of the wiring is the responsibility of the supplier of these devices. Bryan Steam LLC accepts no responsibility for the correctness or safety or execution of this wiring or of the operation of such devices.

V/C/P	208/60/3	230/60/3	460/60/3
(A)	H4	H4	H4
(B)	H3	H2	H1
(C)	3 AMP	3 AMP	1.25 AMP
(D)	9 AMP	9 AMP	5 AMP



**Wiring Legend**

**Wiring Line Types:**  
 - Factory Wire Harness – Line Voltage  
 - Factory Wire Harness – Low Voltage  
 - Factory wiring special Igniter  
 - Field Wiring – Line Voltage  
 - Field Wiring – Low Voltage

**Terminal Types:**  
 - Terminals:  
 - Male/Female Connector  
 - Screw Terminal  
 - PCB Screw Terminal  
 - Ground Screw Terminal  
 - Wire Nut

**Annotations:**  
 - Optional Part  
 - Field Installed

**Wire Colors:**  
 [GRN] = Green [PNK] = Pink [RED] = Red  
 [WHT] = White [BLU] = Blue [YEL] = Yellow  
 [VIO] = Violet [ORG] = Orange [GRY] = Gray  
 [BLK] = Black [BRN] = Brown

**Jumpers Cut:** 1, 2, 3, 7, 8, 9, 10, 11  
**Unused Terminals:** 33, 34, 35, 37, 38  
**Last Terminal:** 118