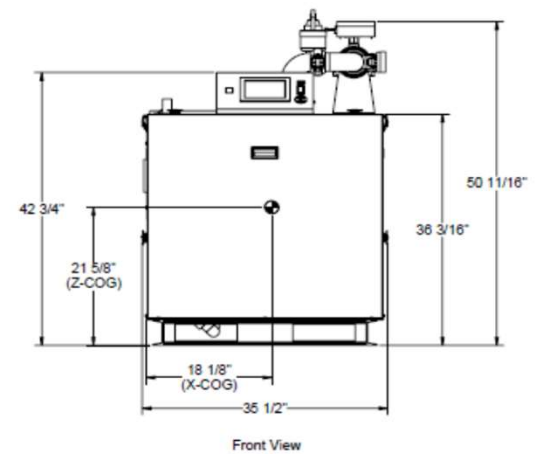
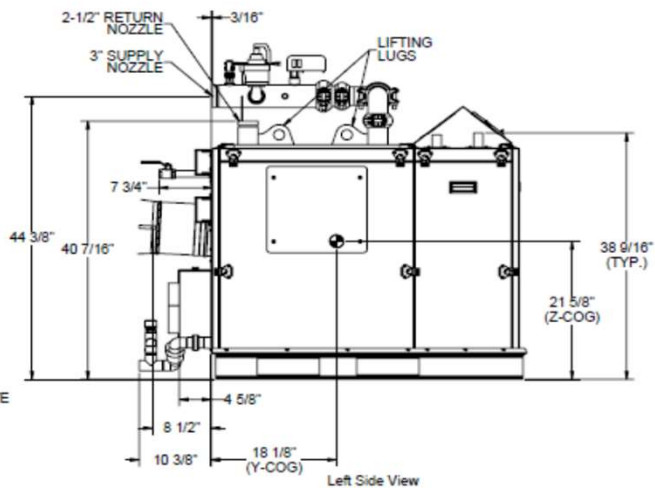
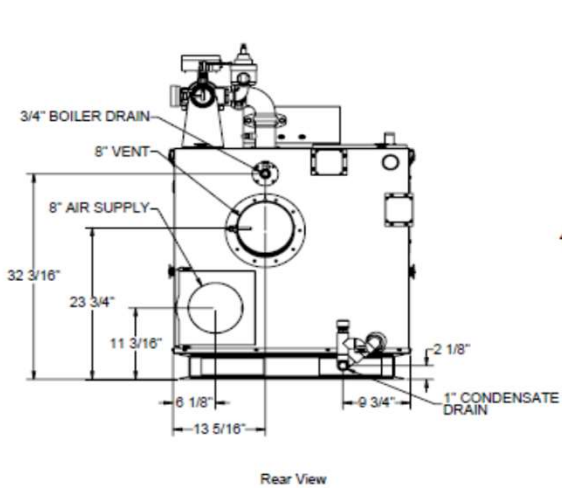
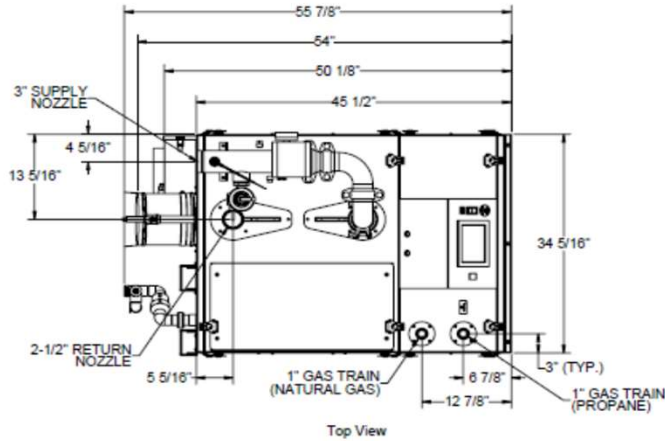
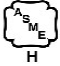



# BFIT CONDENSING BOILERS - SUBMITTAL DATA SHEET



<p>783 N Chili Ave   Peru, IN 46970</p>	<h2 style="margin: 0;">BFIT-1250 Dual Fuel</h2>	<p>Boiler Technology Leadership Since 1916</p> <p><b>HOT WATER SYSTEMS</b></p> <p><a href="http://www.bryanboilers.com">www.bryanboilers.com</a></p>	<p>Updated 6/26/24</p> <p>BFIT1250DF-20240601</p>
---	---	--	---

# BFIT CONDENSING BOILERS - SUBMITTAL DATA SHEET

RATINGS AND CAPACITIES		
Input - Low fire:	<b>250,000</b>	BTU/HR
Input - High Fire:	<b>1,250,000</b>	BTU/HR
Output - High Fire:	<b>1,212,500</b>	BTU/HR
Boiler Horsepower:	<b>36.2</b>	BHP
Thermal Efficiency:	<b>97.0%</b>	
Low Fire Thermal Efficiency:	<b>Up to 99%</b>	
Heating Surface:	<b>91.6</b>	Sq.Ft.
Water Content:	<b>11.0</b>	Gallons
Fuel:	<b>Natural Gas / Propane</b>	
Firing Rate:	<b>Full Modulation</b>	
Burner Turndown:	<b>5:1</b>	
Low NOx Emissions:	<b>&lt; 10 ppm</b>	
Inlet Gas Pressure (NG):	<b>4" wc</b>	Min.
Inlet Gas Pressure (LP):	<b>8" wc</b>	Min.
	<b>14" wc</b>	Max.
Shipping Weight, Approximate:	<b>922</b>	lbs
ASME Section IV (Max 160 PSIG / 210°F)		
Setpoint range is 60-185°F		
Adjustable, manual reset high limit setting of ≤ 200°F.		
ASME H stamp MAWT is 210°F for the vessel. (For max setpoint, see Setpoint range.)		
ETL Certified to ANSI Z21.13 / CSA 4.9		
ETL Certified to UL 795 / CSA 3.1		
		
DIMENSIONS / CONNECTIONS		
Height:	<b>42-3/4"</b>	(Note 1)
Width:	<b>34-1/4"</b>	(Note 2)
Length:	<b>45-1/2"</b>	(Note 3)
Supply Connection:	<b>3" Grooved</b>	
Return Connection:	<b>2-1/2" Grooved</b>	
Vent / Air Intake Connections:	<b>8"</b>	
Condensate / Boiler Drain Connection:	<b>1"</b>	
Gas Connection:	<b>1" NPT</b>	

FLOWS AND PRESSURE DROPS		
Delta T	Flow (GPM)	Δ P (Ft. Hd)
20°F Δ T (Max)	<b>121</b>	<b>16.0</b>
25°F Δ T	<b>97</b>	<b>11.0</b>
30°F Δ T	<b>81</b>	<b>7.2</b>
35°F Δ T	<b>69</b>	<b>6.1</b>
40°F Δ T	<b>61</b>	<b>5.2</b>
45°F Δ T	<b>54</b>	<b>3.8</b>
50°F Δ T	<b>50</b>	<b>3.0</b>
55°F Δ T (Min)	<b>44</b>	<b>2.8</b>

- NOTES:**
1. Height dimension is from floor to top of jacket.
  2. Length is from jacket front to jacket rear.
  3. Dimensions shown are for reference only

# BFIT CONDENSING BOILERS - SUBMITTAL DATA SHEET

## STANDARD EQUIPMENT

### PRESSURE VESSEL DESIGN

Stainless Steel Heat Exchanger  
 ASME Section IV Certified, "H" Stamp  
 MAWP 160 PSIG & Max Temp 210°F  
 Setpoint range is 60-185°F  
 Adjustable, manual reset high limit setting of ≤ 200°F.  
 ASME H stamp MAWT is 210°F for the vessel. (For max setpoint, see Setpoint range.)  
 Ten Year Limited Pressure Vessel Warranty

### COMBUSTION DESIGN

Stainless Steel Pre-Mix Burner  
 Low NOx Emissions ( < 10 ppm)  
 Full Modulation, 5:1 Turndown  
 Natural Gas, Propane or Dual Fuel (Gas/Gas)  
 4" wc (8" wc Propane) to 14" wc inlet gas pressure  
 Direct Spark Ignition System with UV Scanner  
 High/Low gas pressure switches, manual reset  
 Zero governor gas valve  
 Variable Speed Combustion Blower  
 Air Proving Switch  
 Blocked Vent Switch  
 Manual fuel changeover switch (Dual Fuel Only)

### VENTING

Category II or IV Venting  
 Individual or Common (Engineered) Vent System  
 Vertical or Horizontal  
 CPVC, PP or SS Venting \*Materials Acceptable  
 Combustion Air Intake - Sealed or Room

\* Flue system material shall be capable of continuous operation at 210°F or higher and shall be certified to UL 1738 – venting system for gas-burning appliances cat II, III and IV.

### BOILER EQUIPMENT

Concert™ Control (24 Vac)  
 High Limit Temp Control, Manual Reset  
 Low water cutoff, manual reset  
 Water Flow Switch  
 Supply & Return Water Temperature Sensors  
 Flue Gas Temperature Sensor  
 Condensate trap  
 Blocked Condensate Switch  
 Pressure & Temperature Gauge  
 ASME Relief Valve  
 (Available 30, 50, 60, 75, 100, 125 or 150 psig)

### ELECTRICAL DESIGN

#### **Models 1000-2500:**

- 120-208-230VAC/60HZ/1PH - High Voltage  
 (1500 to 2500 - Optional 208-230-460VAC/60HZ/3PH)

#### **Models 3000:**

- 208-230-240VAC/60HZ/1PH - High Voltage  
 - 208-230-240-460VAC/60HZ/3PH - High Voltage

#### **Models 3500-4000:**

- 208-230-240-460VAC/60HZ/3PH - High Voltage  
 - PCB (Printed Circuit Board) Fused Connections  
24VAC/5VDC - Low Voltage PCB  
 - EMS Communications  
 (Dual RJ45 Jacks for Peer-To-Peer or ModBus)  
 - Boiler Options (Sensors)  
 - Pumps (Boiler, DHW, System) & Auxiliary Devices

## OPTIONAL EQUIPMENT

- Hydronic Kit (Boiler Circulation Pump, Pump Flange Kit and Condensate Neutralizer)
- External High Limit Temperature Control, Manual Reset
- Condensate Neutralizer
- Supply Header Temperature Sensor:
 

<input type="checkbox"/>	Direct Immersion
<input type="checkbox"/>	Wired
- Outdoor Air Temperature Sensor:
 

<input type="checkbox"/>	Well Immersion (with Well)
<input type="checkbox"/>	Wireless
- EMS Signal Converter Kit (Converts Energy or Building Management System 0-10v signal to 4-20mA)
- Motorized Isolation Valves
- Alarm Buzzer with Silencing Switch
- Gas Valve Proving Switch
- Vent Adapter - CPVC
- Universal Communications Gateway (BACnet, Metasys, Modbus or Lonworks)
- Stackable Rack
- Conductor Sequencing Panel

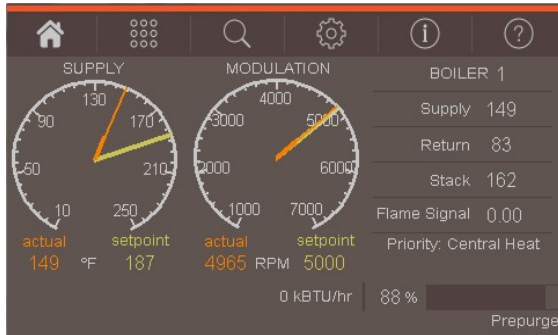
The Conductor manages multiple condensing & non-condensing, small & large heat output, new and/or existing boilers (full modulation or on-off), and steam or hot water applications. It helps improve system efficiency by selecting and modulating the right boiler to match operating conditions. The Conductor offers a single point boiler plant Energy Management System (EMS) interface including Modbus TCP/IP, Modbus RTU RS485, BACnet/IP and BACnet MSTP standard. If Lonworks needed, add for the separate Lonworks gateway.

Extended Warranty

- 3-Year Parts     
  5-Year Parts     
  10-Year Parts     
  5-Year Parts/Labor     
  10-Year Parts/Labor

# BFIT CONDENSING BOILERS - SUBMITTAL DATA SHEET

## CONCERT CONTROL FEATURES



### Dashboard - Color Touchscreen Display, 4"

- Intuitive Icon Navigation
- "Quick" Setup Menus
- \*Real Time BTU/H Display

### Two (2) Temperature Demand Inputs

- Outdoor Air Reset Curve for Each Input
- Time of Day Setback Capability

(Envirocom Thermostat must be installed)

### Three (3) Pump Control

- Boiler Pump With On/Off or Variable Speed Control
- Domestic Hot Water (DHW) Pump
- System Pump
- Alternative Control to Combustion
  - Air Damper or Standby Loss Damper
- Pump Overrun for Heat Dissipation
- Pump Exercise
- Pump Rotor Seizing Protection

### Peer-to-Peer Boiler Communications

- Multiple Size Boiler Sequencing Up to 8 Units
- \*Two (2) Boiler Start/Stop Trigger
- Lead Boiler Automatic Rotation

### Energy Management System (EMS) Interface

- \*Firing Rate and Water Temperature Based Algorithms for Multiple Boilers; loss of EMS signal defaults to local boiler settings
- 420mAdc Input/Output (010Vdc Optional Converter)
- ModBus Input/Output (BACnet or LonWorks Optional Gateway)
- Simultaneous Interface with PeertoPeer

### USB Data Port Transfer

- Upload Settings Between Boilers
- Download Parameters for Troubleshooting
- Import Data into .CRV Formatted Files for Performance Analysis

\* Unique to Concert



### Energy Efficiency Enhancer

- AntiCycling Technology
- Multiplier boiler base load common rate
- Outdoor Air Temperature Reset Curve
- Warm Weather Shutdown
- Boost Temperature & Time
- Ramp Delay
- OverTemperature Safeguarding

### Self-Guiding Diagnostics

- Identifies Fault
- Describes Possible Problems
- Provides Corrective Actions
- Time/Date Stamp on Alarms and Lockouts

### Unmatched Archives

- Historical Trends Collects Up to 4 months Data
- Event History Up to 3000 Alarms, Lockouts and Cycle & Run Times
- Alarm Limit String Faults, Holds, Lockouts and Others
- Cycle & Run Time Boilers & Pumps
- Resettable (Lockouts/Alarms/Cycles & Run Time)

### Domestic Hot Water Priority

- DHW Tank Piped With Priority in the Boiler Loop
- DHW Tank Piped as a Zone in the System With the Pumps Controlled by the Concert Control
- DHW Modulation Limiting
- Status Screens
- Sensor Monitoring and Control

### Other Features

- Factory Default Settings
  - Three Level Password Security
  - Frost Protection
- Contractor Contacts (Up to 3)
- Low Water Flow Safety Control & Indication
- Proportion Integral Derivative (PID) Parameters for Central Heat, DWH, Sequencer and Fan
- Built-in Brown-Out Protection